

SPECIFICATIONS OVERVIEW

General Scope

- Cabinets are designed and constructed in the style of overlay cabinetry, sometimes referred to as “European Style” cabinetry. When closed, all doors and drawers rest with the back side of their panels flat against any adjacent framing or railing so that minimal framing or railing is visible from a front facing position.
- Our cabinets are designed as modular units that can be moved into any position in line as finished side panels may be fastened at any time to any cabinet side wall. Access and/or passage holes are included for electrical, plumbing, and ventilation as required.
- All components of cabinet assemblies are constructed from stainless steel materials - including drawer bodies, cabinet walls, cabinet ceilings, cabinet floors, shelves, drawer and door panel assemblies, as well as all hardware (The only exception to this shall be the plastic and/or rubber components necessary for bumpers, cylinders, and padding for soft-closing, self-closing, and hold-close mechanisms.)

Design Features

Rain Diversion Channels

- These gutter-like channels commonly used in outdoor electrical enclosures capture and divert water from entering cabinets along door and drawer seams.
- 300 Series Stainless Steel channel

Low Profile Rubber Seals

- Rubber seals nest within Rain Diversion Channels to give further protection from precipitation, wind, debris, and pests.

Sound Deadening Core

- Drawer and door panel assemblies are bonded together via a sound-deadening foam stiffener substrate and welded together in each coincident corner thereafter.

Hinges

- Blum® self-closing hinges
- Hinges offer three dimensions of adjustability.

Drawer Slides

- Blum® undermount soft-close drawer slides
- Drawers feature heavy duty, full extension slides rated for 100 pounds.
- Drawers over 12 inches tall and/or 24 inches wide will feature (2) sets of drawer slides to accommodate a greater load rating. Extra sets of drawer slides shall be made available for all drawer sizes upon request.
- Lever disconnection for easy drawer removal and installation.

Magnetic Door Catches

- A small and replaceable magnetic stainless steel plate is installed within the cabinet box to ensure the rest of the cabinet consists of 300 series stainless steel.
- The magnet catch has a holding power of 7 pounds to keep doors closed in windy conditions.

Stainless Steel Leveling Feet (Base Cabinets)

- Leveling feet have 1 ½ inches of adjustability.
- Load capacity of up to 2,000 pounds (exceeds cabinet load capacity).
- Leveling feet are welded to floor channels with no holes or visibility from inside the cabinet.

Base Cabinet Materials

Exterior Faces

- 316L Marine Grade Stainless Steel, 18G (.0480")

SPECIFICATIONS OVERVIEW

Floor Channels

- 300 Series Stainless Steel, 14G (.0751”).

Door and drawer panels, shelves, walls, floors, ceiling headers and corner brackets, drawer bodies, drawer and door frames, and any other finished panels not mentioned prior.

- 300 Series Stainless Steel, 18G (.0480”).

Hinges

- Blum® self-closing hinges
- Attached to door and cabinet walls using 300 series stainless steel #8 fasteners.

Drawer Slides

- Blum® soft-close undermount drawer slides.
- Small non-structural components of plastic and/or rubber for self-closing effects, lever disconnect, and hold-close mechanisms.

Upper Cabinet Materials

Exterior Faces

- 316L Marine Grade Stainless Steel, 22G (.0293”)

Floor Channels

- 300 Series Stainless Steel, 22G (.293”).

Door and drawer panels, shelves, walls, floors, ceiling headers and corner brackets, drawer bodies, drawer and door frames, and any other finished panels not mentioned prior.

- 300 Series Stainless Steel, 22G (.0293”).

Hinges

- Blum® self-closing hinges.
- Attached to door and cabinet walls using 300 series stainless steel #8 fasteners.

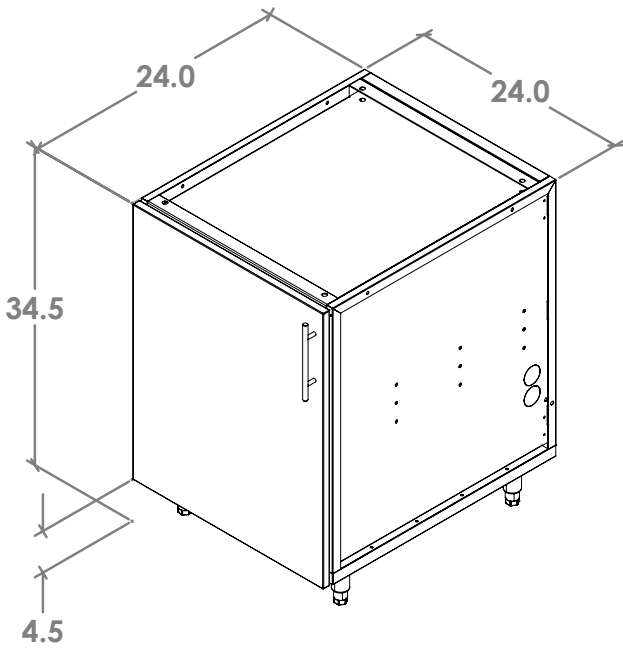
Casework Durability

- Base cabinets support >130 lbs. (90kg) per square foot of top surface area at all walls and ceilings.
- Upper cabinets support >22 lbs. (10kg) per square foot of shelf surface area at all walls and ceilings.
- Leveling feet support up to 2,000 lbs. (900kg) at full 1.5” extension (exceeds cabinet load capacity).
- Shelves support up to 45 lbs. (20kg) per square foot of top surface.
- Drawer slides support up to 100 lbs. (45kg) per pair.

Outdoor Base Cabinets



OUTDOOR BASE: SINGLE DOOR CABINET

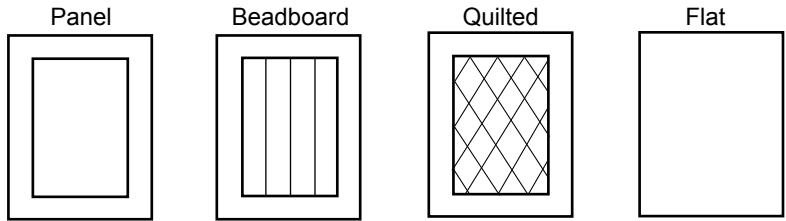


Example Displayed:
OB-24-24-36-SGLDR-FLAT-R

Available Dimensions	
Width (X)	9" 12" 15" 18" 21" 24"
Depth (Y)	24" 30" 36"
Height (Z)	30" 36" 42"

* Product heights include standard 1 1/2" countertop (Not Included).

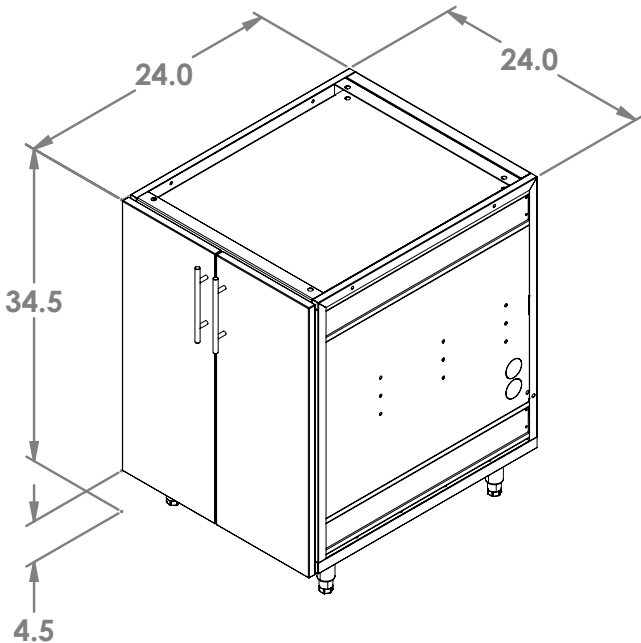
Door Styles:



Insert Width(X), Depth(Y), Height(Z) and Door Style into parts number:

OB-(X)-(Y)-(Z)-SGLDR-(Door Style)-(Handle Side)

OUTDOOR BASE: DOUBLE DOOR CABINET

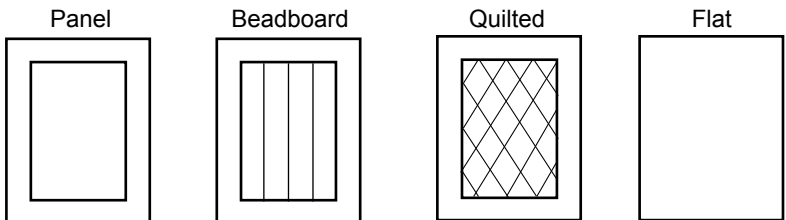


Example Displayed:
OB-24-24-36-DBLDR-FLAT

Available Dimensions	
Width (X)	24" 27" 30" 33" 36" 39" 42" 45" 48"
Depth (Y)	24" 30" 36"
Height (Z)*	30" 36" 42"

* Product heights include standard 1 1/2" countertop (Not Included).

Door Styles:



Insert Width(X), Depth(Y), Height(Z), and Door Style into parts number:

OB-(X)-(Y)-(Z)-DBLDR-(Door Style)

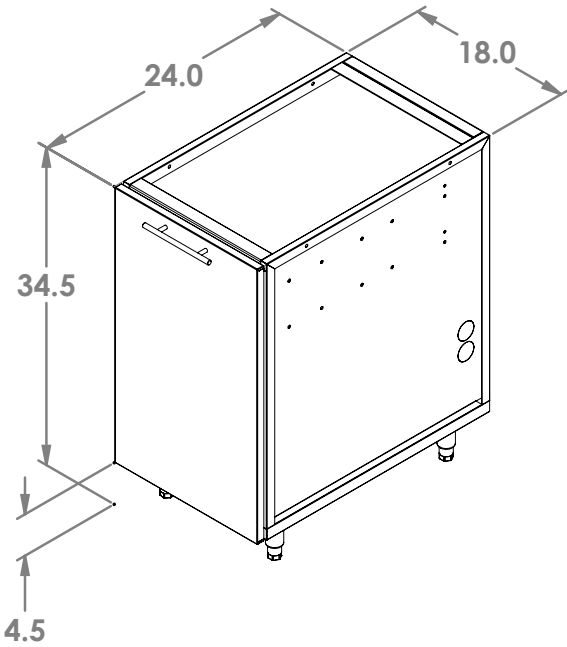
Outdoor Cabinets | Specifications Guide

JWOutdoorCabinets.com | (877) 484-0088
505 Cuthbertson St., Monroe, NC 28110

Outdoor Base Cabinets



OUTDOOR BASE: PULL OUT DOOR CABINET

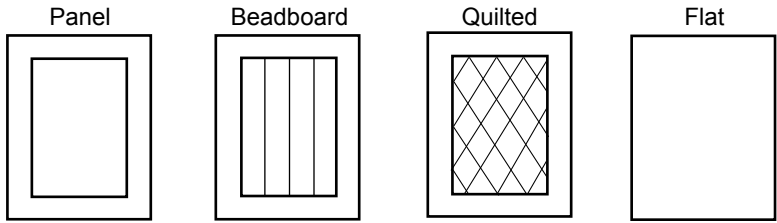


Example Displayed:
OB-18-24-36-PODR-FLAT

Available Dimensions	
Width (X)	9" 12" 15" 18" 21" 24"
Depth (Y)	24" 30" 36"
Height (Z)	30" 36" 42"

* Product heights include standard 1 1/2" countertop (Not Included).

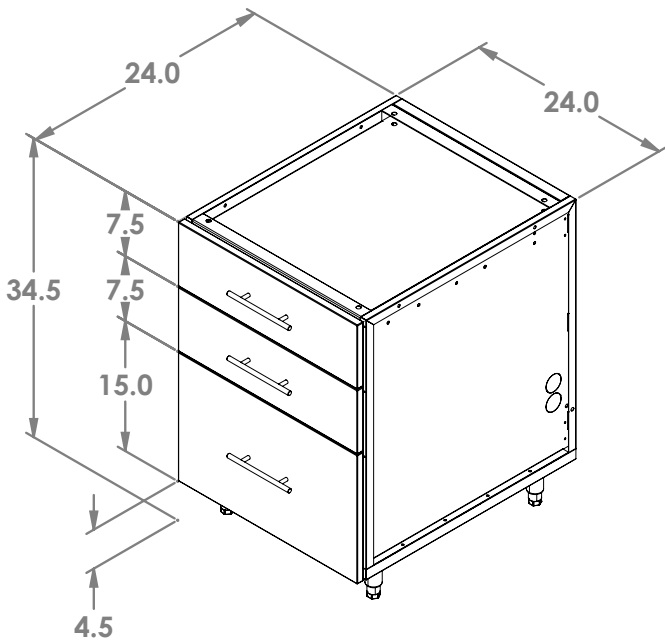
Door Styles:



Insert Width(X), Depth(Y), Height(Z) and Door Style into parts number:

OB-(X)-(Y)-(Z)-PODR-(Door Style)

OUTDOOR BASE: 2 QUARTER DRAWERS AND 1 HALF DRAWER CABINET

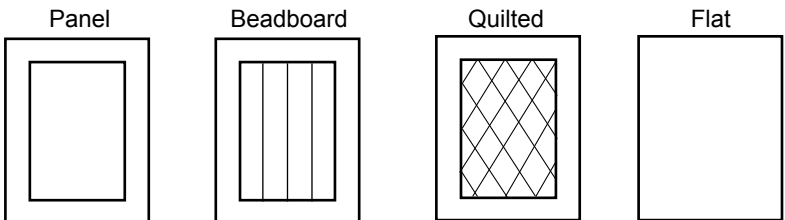


Example Displayed:
OB-24-24-36-2QDRWHDRW-FLAT

Available Dimensions	
Width (X)	9" 12" 15" 18" 21" 24" 27" 30"
Depth (Y)	24" 30" 36"
Height (Z)*	30" 36" 42"

* Product heights include standard 1 1/2" countertop (Not Included).

Door Styles:



Insert Width(X), Depth(Y), Height(Z), and Door Style into parts number:

OB-(X)-(Y)-(Z)-2QDRWHDRW-(Door Style)

Outdoor Cabinets | Specifications Guide

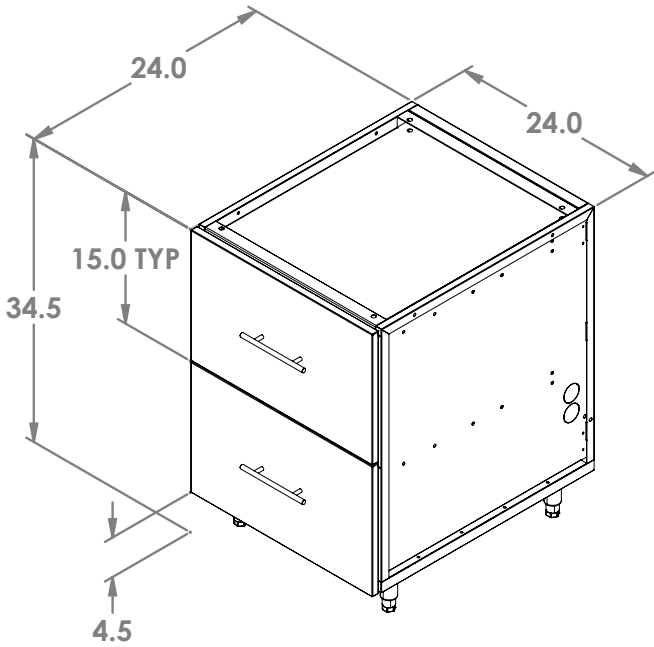
JWOutdoorCabinets.com | (877) 484-0088

505 Cuthbertson St., Monroe, NC 28110

Outdoor Base Cabinets



OUTDOOR BASE: 2 HALF DRAWERS CABINET

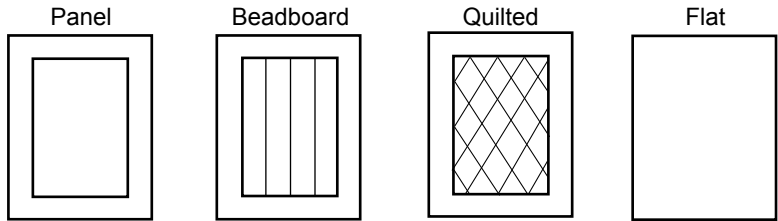


Example Displayed:
OB-24-24-36-2HDRW-FLAT

Available Dimensions	
Width (X)	9" 12" 15" 18" 21" 24" 27" 30"
Depth (Y)	24" 30" 36"
Height (Z)	30" 36" 42"

* Product heights include standard 1 1/2" countertop (Not Included).

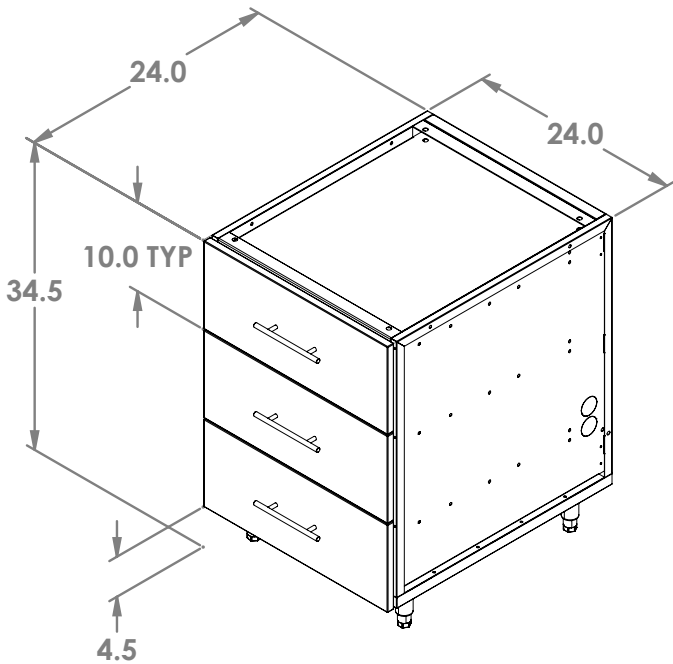
Door Styles:



Insert Width(X), Depth(Y), Height(Z) and Door Style into parts number:

OB-(X)-(Y)-(Z)-2HDRW-(Door Style)

OUTDOOR BASE: 3 THIRD DRAWERS CABINET

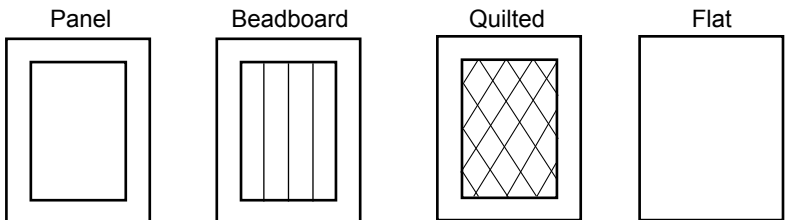


Example Displayed:
OB-24-24-36-3TDRW-FLAT

Available Dimensions	
Width (X)	9" 12" 15" 18" 21" 24" 27" 30"
Depth (Y)	24" 30" 36"
Height (Z)*	30" 36" 42"

* Product heights include standard 1 1/2" countertop (Not Included).

Door Styles:



Insert Width(X), Depth(Y), Height(Z), and Door Style into parts number:

OB-(X)-(Y)-(Z)-3TDRW-(Door Style)

Outdoor Cabinets | Specifications Guide

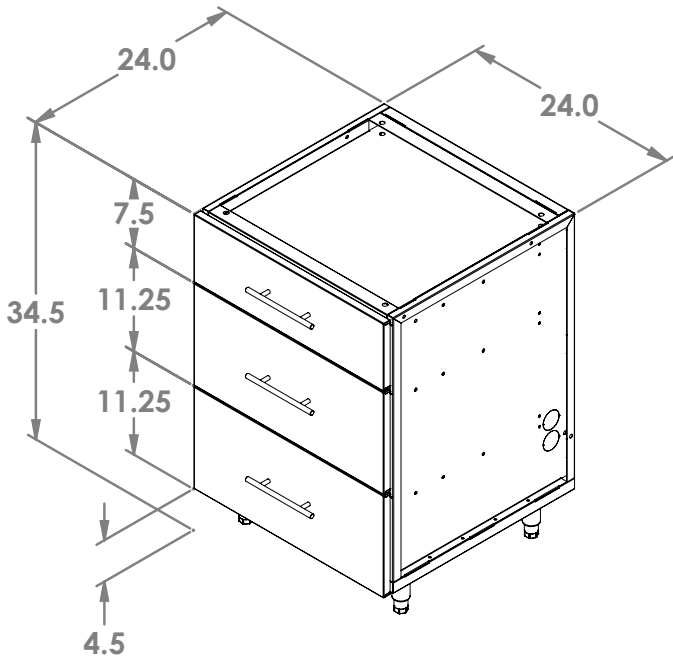
JWOutdoorCabinets.com | (877) 484-0088

505 Cuthbertson St., Monroe, NC 28110

Outdoor Base Cabinets



OUTDOOR BASE: 1 QUARTER DRAWER AND 2 THREE EIGHTHS DRAWERS CABINET

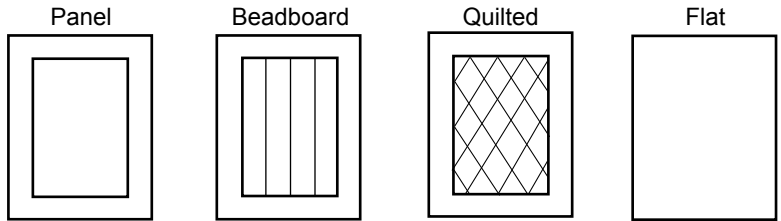


Example Displayed:
OB-24-24-36-QDRW38DRW-FLAT

Available Dimensions	
Width (X)	9" 12" 15" 18" 21" 24" 27" 30"
Depth (Y)	24" 30" 36"
Height (Z)	30" 36" 42"

* Product heights include standard 1 1/2" countertop (Not Included).

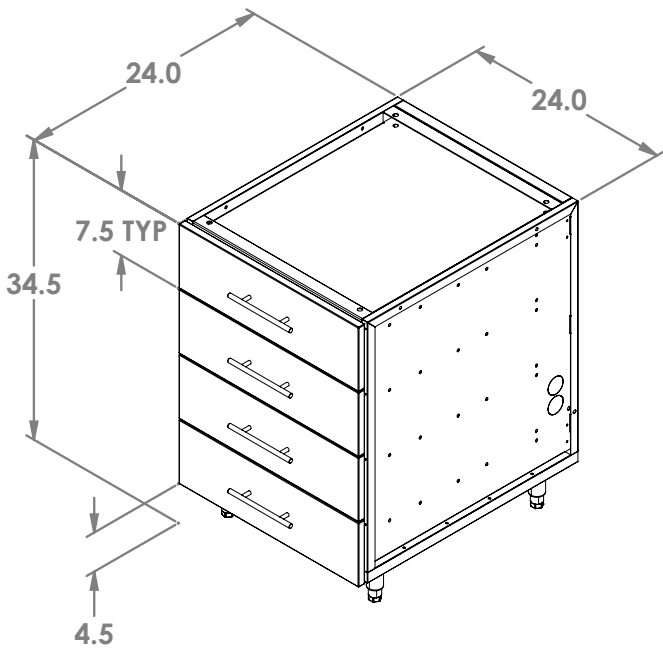
Door Styles:



Insert Width(X), Depth(Y), Height(Z) and Door Style into parts number:

OB-(X)-(Y)-(Z)-QDRW38DRW-(Door Style)

OUTDOOR BASE: 4 QUARTER DRAWERS CABINET

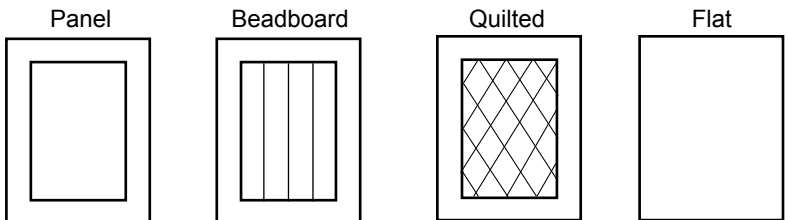


Example Displayed:
OB-24-24-4QDRW-FLAT-R

Available Dimensions	
Width (X)	9" 12" 15" 18" 21" 24" 27" 30"
Depth (Y)	24" 30" 36"
Height (Z)*	30" 36" 42"

* Product heights include standard 1 1/2" countertop (Not Included).

Door Styles:



Insert Width(X), Depth(Y), Height(Z), and Door Style into parts number:

OB-(X)-(Y)-(Z)-4QDRW-(Door Style)-(Handle Side)

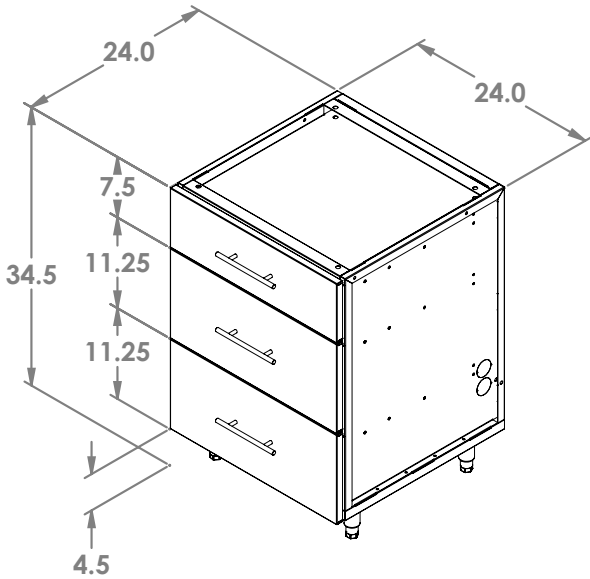
Outdoor Cabinets | Specifications Guide

JWOutdoorCabinets.com | (877) 484-0088
505 Cuthbertson St., Monroe, NC 28110

Outdoor Base Cabinets



OUTDOOR BASE: 1 QUARTER DRAWER 2 THREE-EIGHTHS DRAWERS

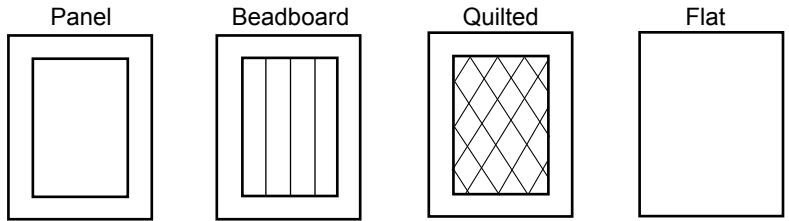


Example Displayed:
OB-24-24-36-Q38DRW-FLAT

Available Dimensions	
Width (X)	9" 12" 15" 18" 21" 24" 27" 30"
Depth (Y)	24" 30" 36"
Height (Z)	30" 36" 42"

* Product heights include standard 1 1/2" countertop.

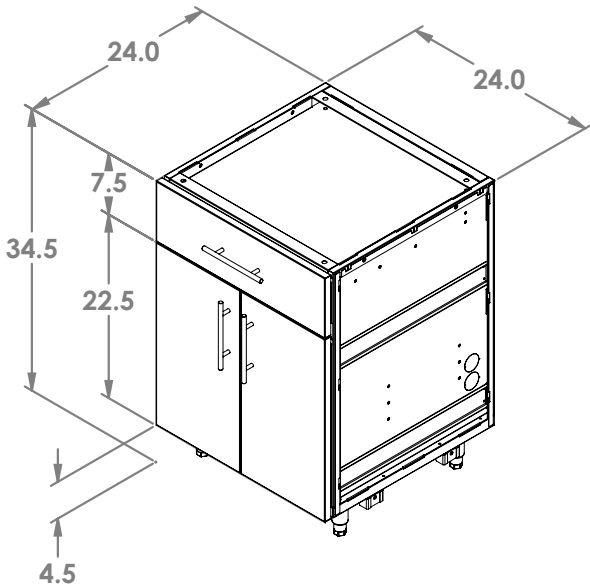
Door Styles:



Insert Width(X), Depth(Y), Height(Z) and Door Style into parts number:

OB-(X)-(Y)-(Z)-Q38DRW-(Door Style)

OUTDOOR BASE: 1 QUARTER DRAWER THREE-QUARTER DOUBLE DOOR

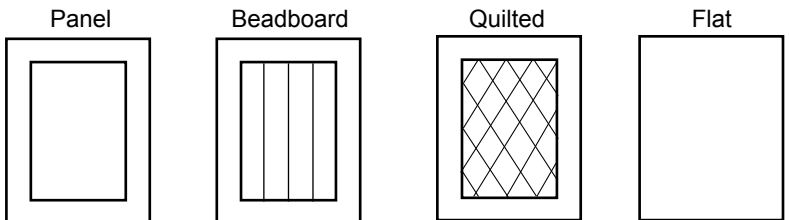


Example Displayed:
OB-24-24-36-QBDL-FLAT

Available Dimensions	
Width (X)	24" 27" 30" 33" 36"
Depth (Y)	24" 30" 36"
Height (Z)*	30" 36" 42"

* Product heights include standard 1 1/2" countertop.

Door Styles:



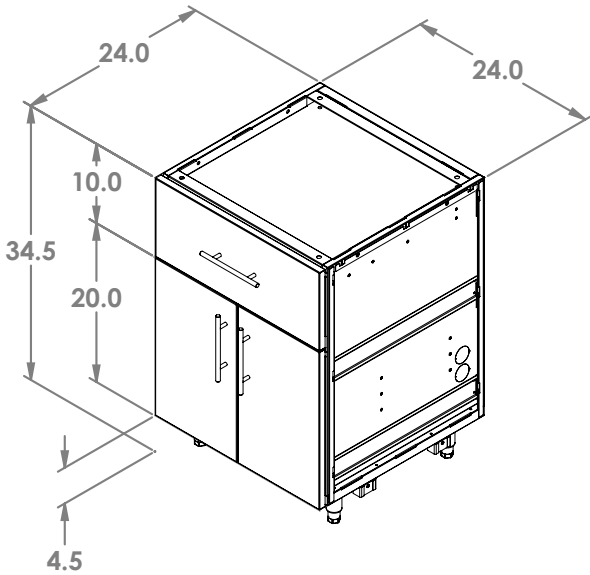
Insert Width(X), Depth(Y), Height(Z), and Door Style into parts number:

OB-(X)-(Y)-(Z)-QBDL-(Door Style)

Outdoor Base Cabinets



OUTDOOR BASE: 1 THIRD DRAWER TWO-THIRDS DOUBLE DOOR

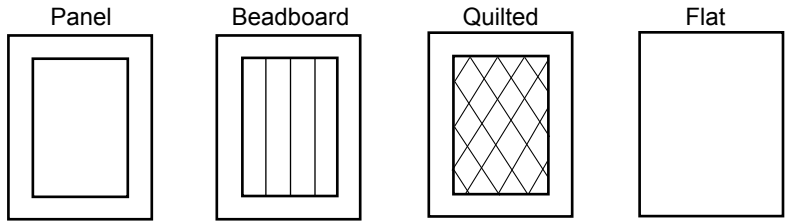


Example Displayed:
OB-24-24-36-TDBL-FLAT

Available Dimensions	
Width (X)	24" 27" 30" 33" 36" 39" 42" 45" 48"
Depth (Y)	24" 30" 36"
Height (Z)	30" 36" 42"

* Product heights include standard 1 1/2" countertop.

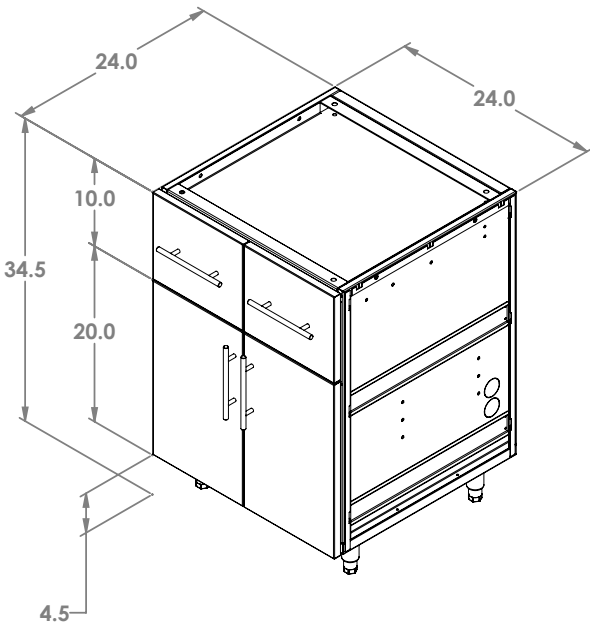
Door Styles:



Insert Width(X), Depth(Y), Height(Z) and Door Style into parts number:

OB-(X)-(Y)-(Z)-TDBL-(Door Style)

OUTDOOR BASE: 2 THIRD DRAWERS TWO-THIRD DOUBLE DOOR

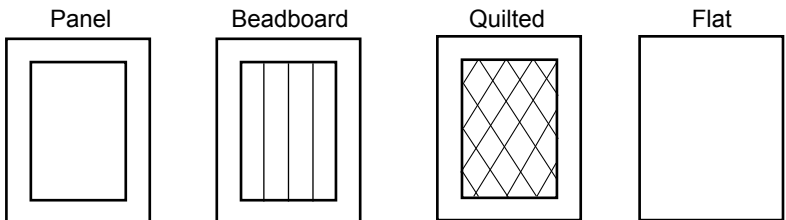


Example Displayed:
OB-24-24-36-TTDBL-FLAT

Available Dimensions	
Width (X)	24" 27" 30" 33" 36" 39" 42" 45" 48"
Depth (Y)	24" 30" 36"
Height (Z)*	30" 36" 42"

* Product heights include standard 1 1/2" countertop.

Door Styles:



Insert Width(X), Depth(Y), Height(Z), and Door Style into parts number:

OB-(X)-(Y)-(Z)-TTDBL-(Door Style)

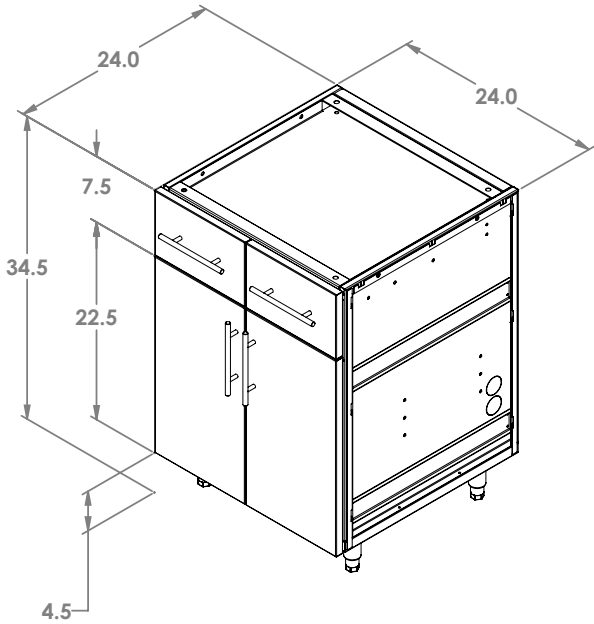
Outdoor Cabinets | Specifications Guide

JWOutdoorCabinets.com | (877) 484-0088
505 Cuthbertson St., Monroe, NC 28110

Outdoor Base Cabinets



OUTDOOR BASE: 2 QUARTER DRAWER THREE-QUARTER DOUBLE DOOR

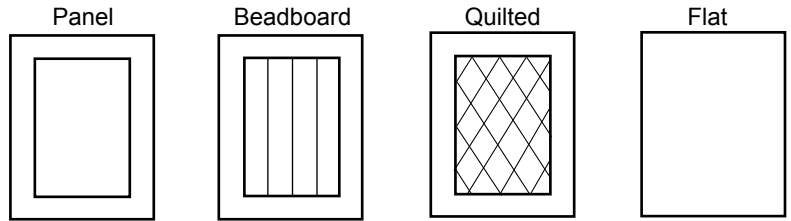


Example Displayed:
OB-24-24-36-QQDBL-FLAT

Available Dimensions	
Width (X)	24" 27" 30" 33" 36" 39" 42" 45" 48"
Depth (Y)	24" 30" 36"
Height (Z)	30" 36" 42"

* Product heights include standard 1 1/2" countertop.

Door Styles:



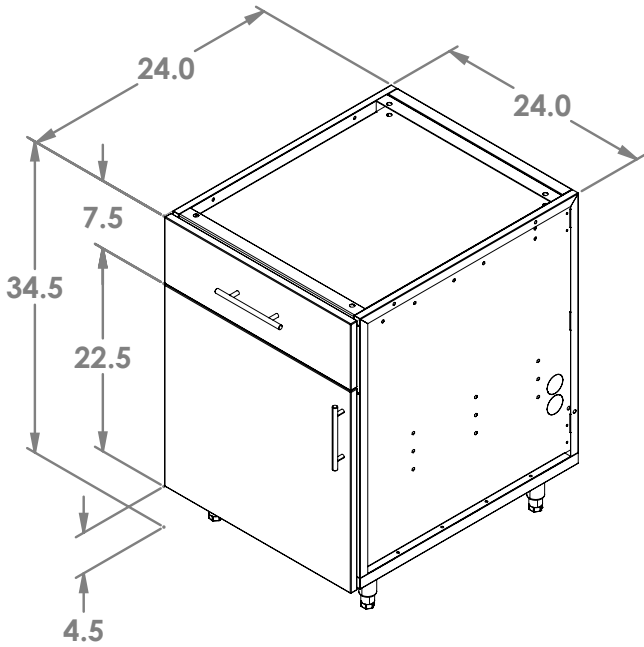
Insert Width(X), Depth(Y), Height(Z) and Door Style into parts number:

OB-(X)-(Y)-(Z)-QQDBL-(Door Style)

Outdoor Base Cabinets



OUTDOOR BASE: 1 QUARTER DRAWER SINGLE DOOR CABINET

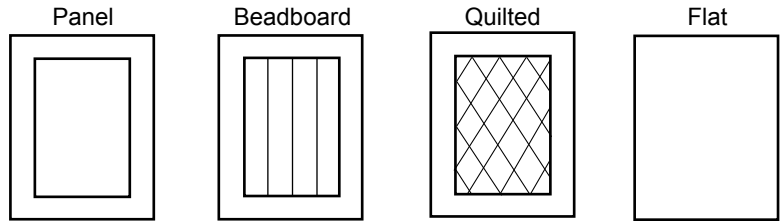


Example Displayed:
OB-24-24-36-QDRWSDR-FLAT-R

Available Dimensions	
Width (X)	9" 12" 15" 18" 21" 24"
Depth (Y)	24" 30" 36"
Height (Z)	30" 36" 42"

* Product heights include standard 1 1/2" countertop (Not Included).

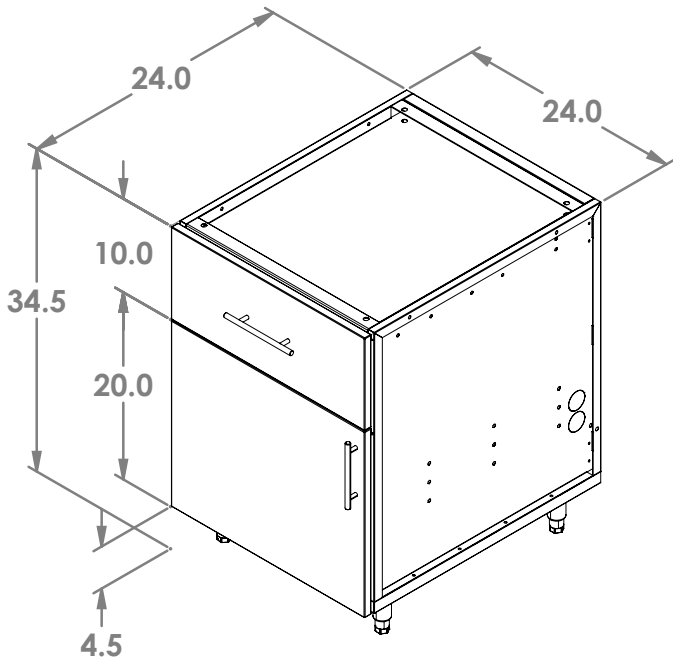
Door Styles:



Insert Width(X), Depth(Y), Height(Z) and Door Style into parts number:

OB-(X)-(Y)-(Z)-QDRWSDR-(Door Style)-(Handle Side)

OUTDOOR BASE: 1 THIRD DRAWER SINGLE DOOR CABINET

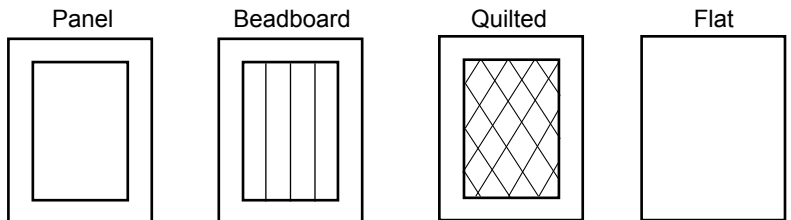


Example Displayed:
OB-24-24-36-TDRWSDR-FLAT-R

Available Dimensions	
Width (X)	9" 12" 15" 18" 21" 24"
Depth (Y)	24" 30" 36"
Height (Z)*	30" 36" 42"

* Product heights include standard 1 1/2" countertop (Not Included).

Door Styles:



Insert Width(X), Depth(Y), Height(Z), and Door Style into parts number:

OB-(X)-(Y)-(Z)-TDRWSDR-(Door Style)-(Handle Side)

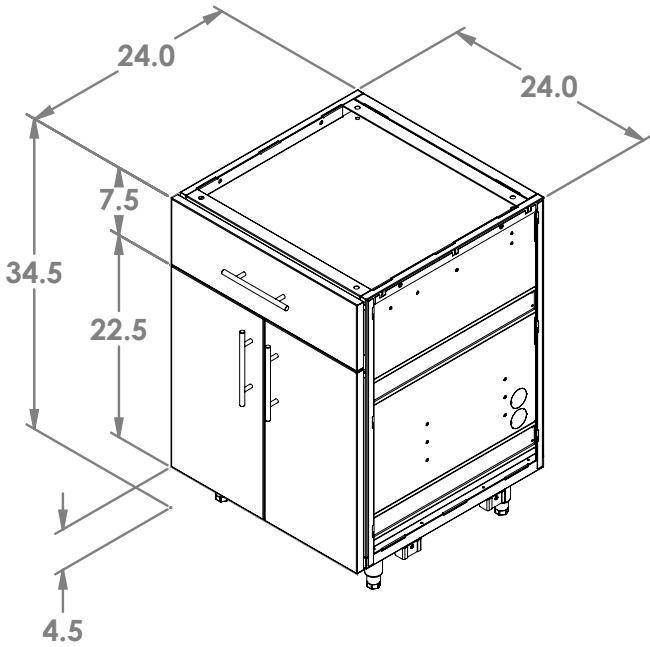
Outdoor Cabinets | Specifications Guide

JWOutdoorCabinets.com | (877) 484-0088
505 Cuthbertson St., Monroe, NC 28110

Outdoor Base Cabinets



OUTDOOR BASE: 1 QUARTER DRAWER DOUBLE DOOR CABINET

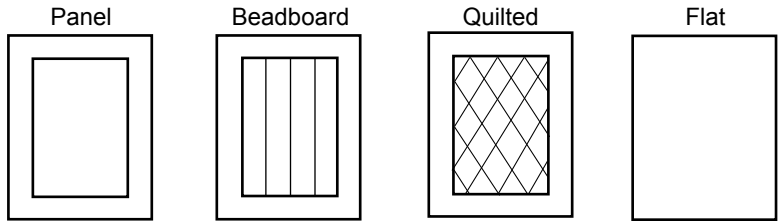


Example Displayed:
OB-24-24-36-QDRWSDR-FLAT-R

Available Dimensions	
Width (X)	24" 27" 30"
Depth (Y)	24" 30" 36"
Height (Z)	30" 36" 42"

* Product heights include standard 1 1/2" countertop (Not Included).

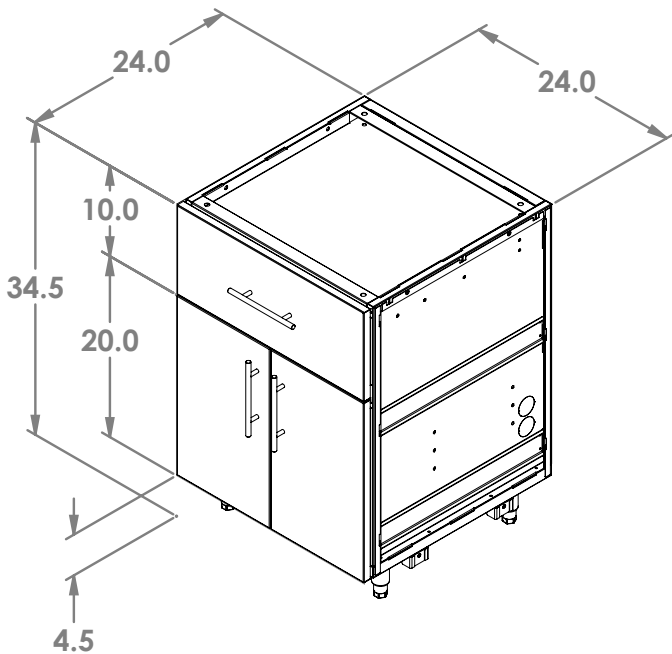
Door Styles:



Insert Width(X), Depth(Y), Height(Z) and Door Style into parts number:

OB-(X)-(Y)-(Z)-QDRWSDR-(Door Style)-(Handle Side)

OUTDOOR BASE: 1 THIRD DRAWER DOUBLE DOOR CABINET

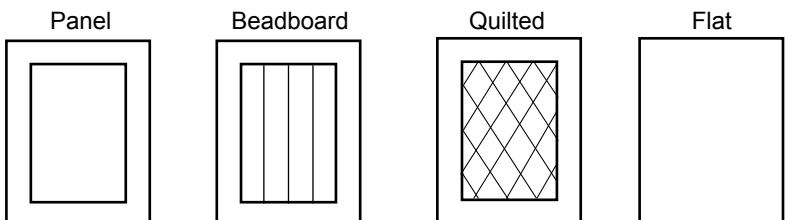


Example Displayed:
OB-24-24-36-TDRWSDR-FLAT-R

Available Dimensions	
Width (X)	24" 27" 30"
Depth (Y)	24" 30" 36"
Height (Z)*	30" 36" 42"

* Product heights include standard 1 1/2" countertop (Not Included).

Door Styles:



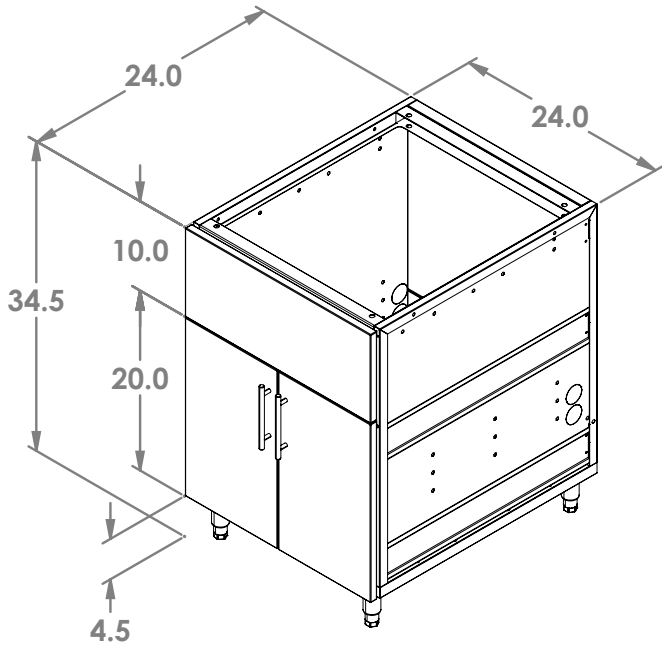
Insert Width(X), Depth(Y), Height(Z), and Door Style into parts number:

OB-(X)-(Y)-(Z)-TDRWSDR-(Door Style)-(Handle Side)

Outdoor Cabinets | Specifications Guide

JWOutdoorCabinets.com | (877) 484-0088
505 Cuthbertson St., Monroe, NC 28110

THIRD FALSE DRAWER DOUBLE DOOR BASE CABINET

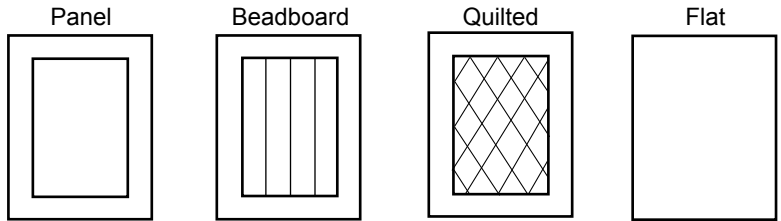


Example Displayed:
IB-24-24-36-SNKTFDRWDDR-FLAT

Available Dimensions	
Width (X)	24" 27" 30"
Depth (Y)	24" 30" 36"
Height (Z)	30" 36" 42"

* Product heights include standard 1 1/2" countertop (Not Included).

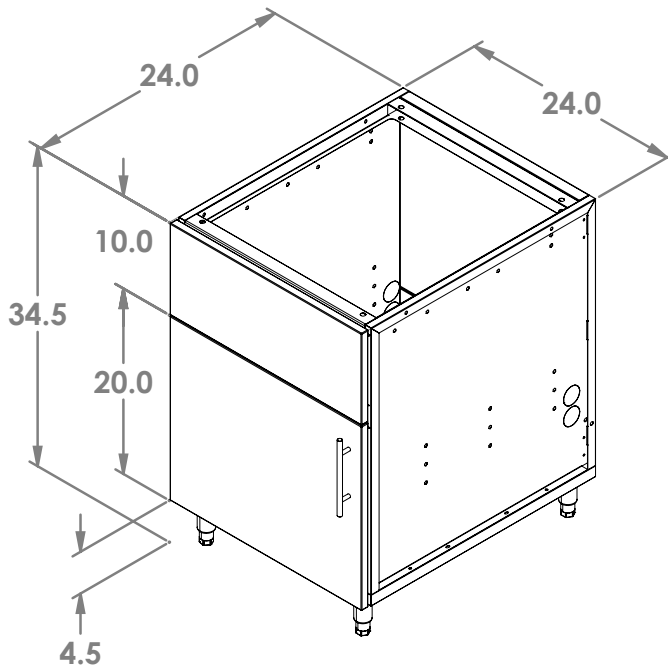
Door Styles:



Insert Width(X), Depth(Y), Height(Z) and Door Style into parts number:

IB-(X)-(Y)-(Z)-SNKTFDRWDDR-(Door Style)

THIRD FALSE DRAWER WITH SINGLE DOOR SINK BASE CABINET

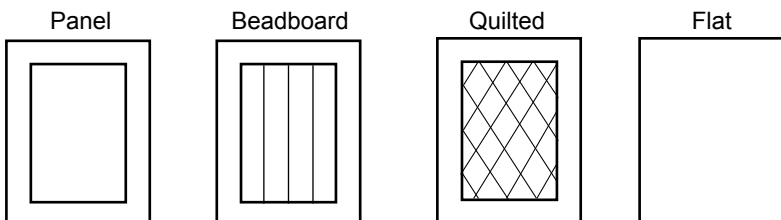


Example Displayed:
IB-24-24-36-SNKTFDRW-FLAT-R

Available Dimensions	
Width (X)	9" 12" 15" 18" 21" 24"
Depth (Y)	24" 30" 36"
Height (Z)*	30" 36" 42"

* Product heights include standard 1 1/2" countertop (Not Included).

Door Styles:

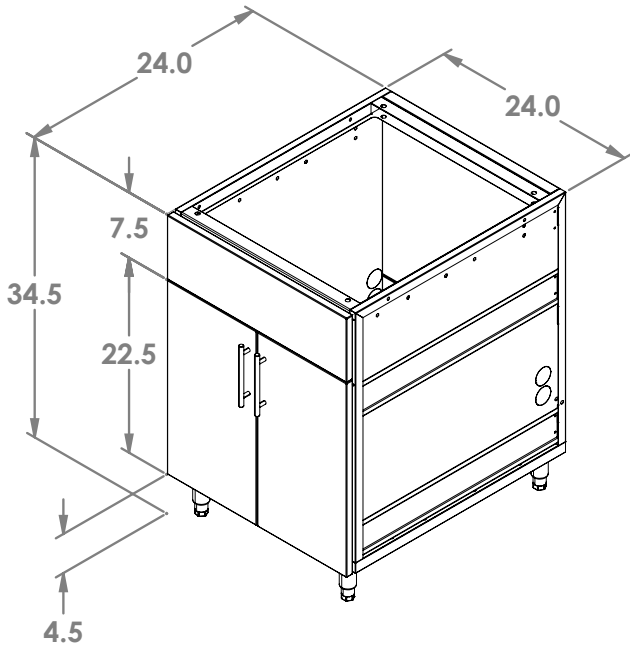


Insert Width(X), Depth(Y), Height(Z), and Door Style into parts number:

IB-(X)-(Y)-(Z)-SNKTFDRW-(Door Style)-(Handle Side)

Outdoor Base Cabinets

OUTDOOR BASE: QUARTER FALSE DRAWER WITH DOUBLE DOOR SINK CABINET

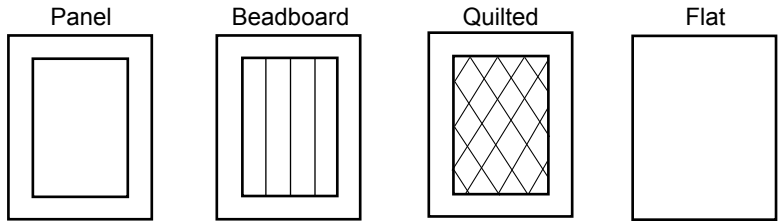


Example Displayed:
OB-24-24-36-SNKQFDRWDDR-FLAT

Available Dimensions	
Width (X)	24" 27" 30"
Depth (Y)	24" 30" 36"
Height (Z)	30" 36" 42"

* Product heights include standard 1 1/2" countertop (Not Included).

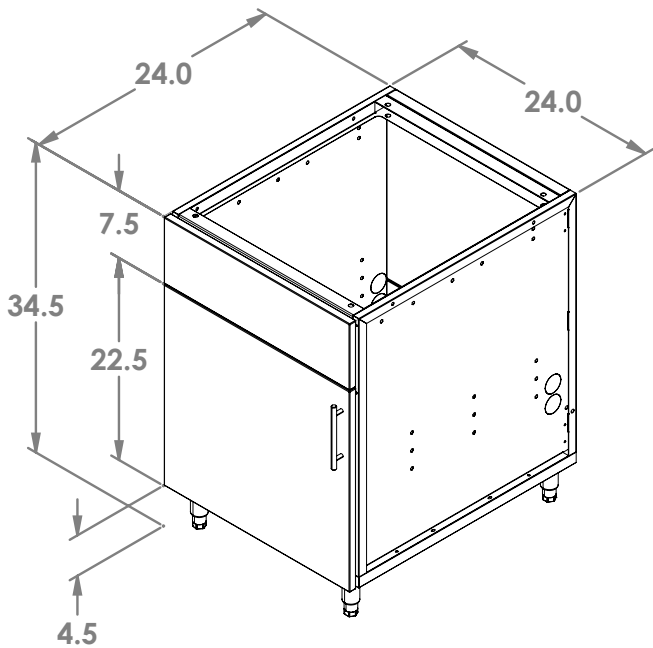
Door Styles:



Insert Width(X), Depth(Y), Height(Z) and Door Style into parts number:

OB-(X)-(Y)-(Z)-SNKQFDRWDDR-(Door Style)

OUTDOOR BASE: QUARTER FALSE DRAWER SINGLE DOOR SINK CABINET

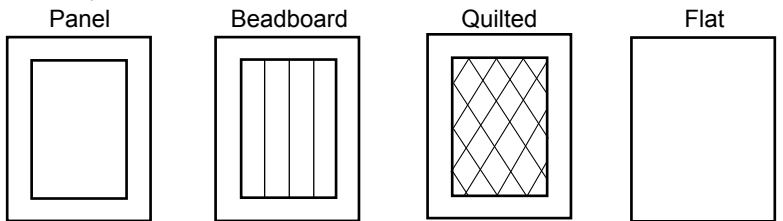


Example Displayed:
OB-24-24-36-SNKQFDRW-FLAT-R

Available Dimensions	
Width (X)	9" 12" 15" 18" 21" 24"
Depth (Y)	24" 30" 36"
Height (Z)	30" 36" 42"

* Product heights include standard 1 1/2" countertop (Not Included).

Door Styles:



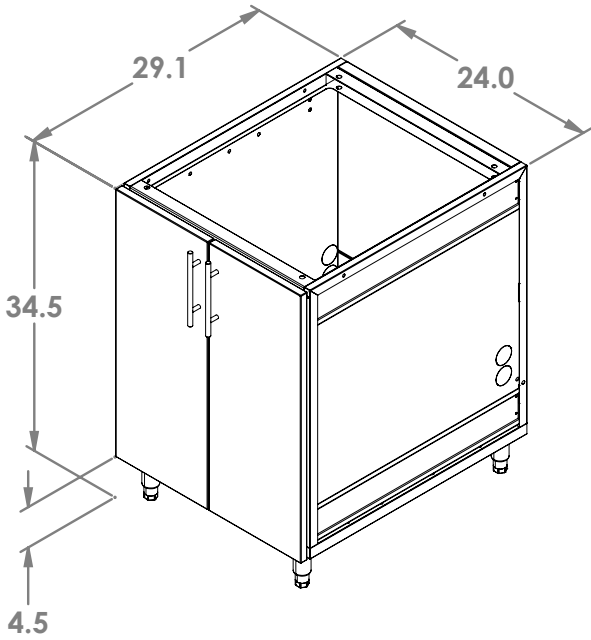
Insert Width(X), Depth(Y), Height(Z) and Door Style into parts number:

OB-(X)-(Y)-(Z)-SNKQFDRW-(Door Style)-(Handle Side)

Outdoor Base Cabinets



OUTDOOR BASE: DOUBLE DOOR SINK CABINET

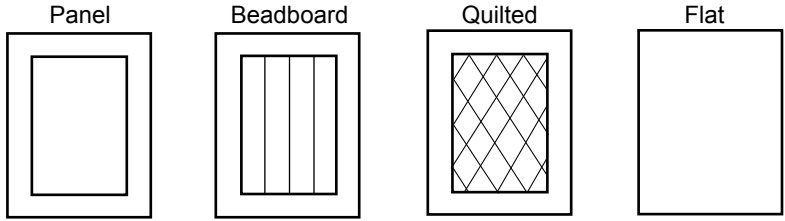


Example Displayed:
OB-24-30-36-SNKDDR-FLAT

Available Dimensions	
Width (X)	24" 27" 30" 33" 36" 39" 42" 45" 48"
Depth (Y)	24" 30" 36"
Height (Z)	30" 36" 42"

* Product heights include standard 1 1/2" countertop.

Door Styles:

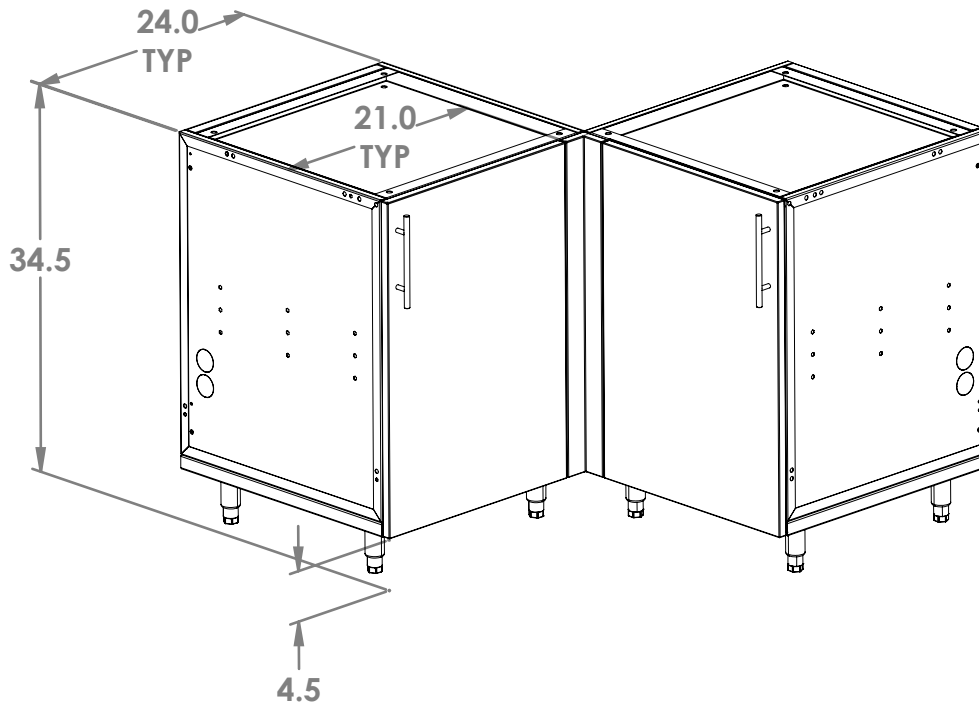


Insert Width(X), Depth(Y), Height(Z) and Door Style into parts number:

OB-(X)-(Y)-(Z)-SNKDDR-(Door Style)

Outdoor Base Cabinets

OUTDOOR BASE: DEAD SPACE BASE CORNER



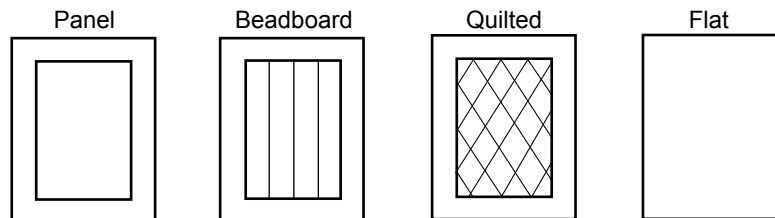
Example Displayed:
OB-24-24-36-DDSC-FLAT-LR

Available Dimensions	
Width (X)	9" 12" 15" 18" 21" 24" 27"
Depth (Y)	24" 28" 34"
Height (Z)*	30" 36" 42"

*All cabinet heights account for standard 1 1/2" countertop (not included).

** The total width of this cabinet is equal to the width+depth+door clearance spacer.

Door Styles:

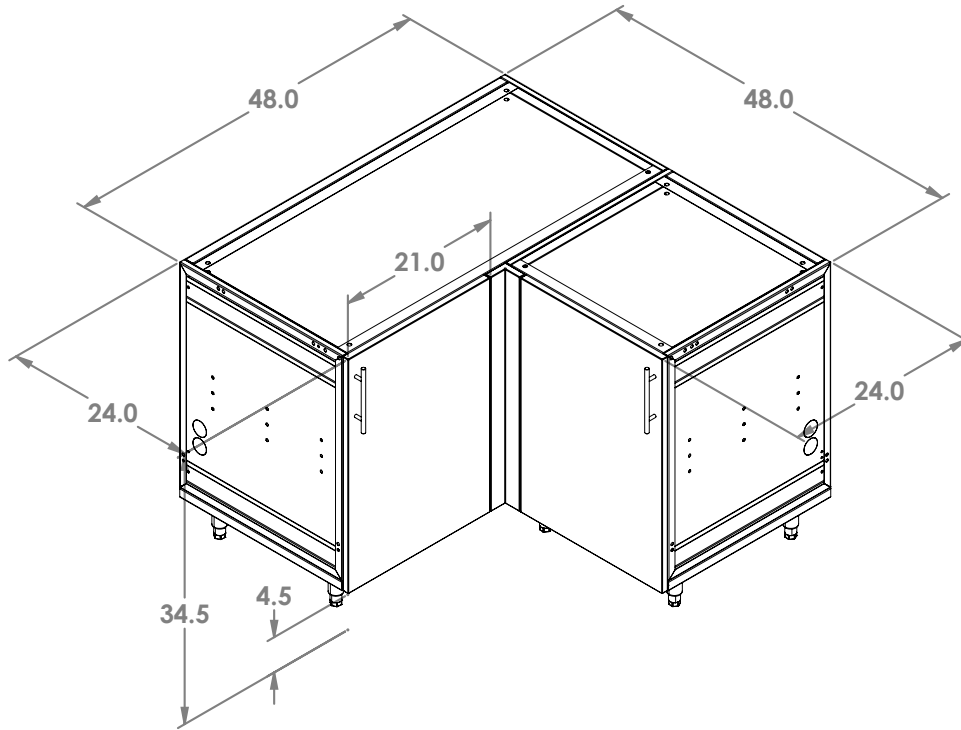


Insert Width(X), Depth(Y), Height(Z) and Door Style into parts number:

OB-(X)-(Y)-(Z)-DDSC-(Door Style)-(Handle Sides)

Outdoor Base Cabinets

OUTDOOR BASE: BLIND BASE CORNER CABINET



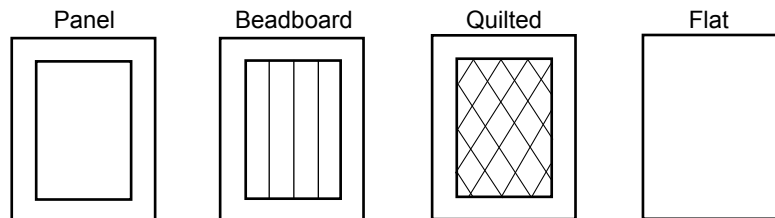
Example Displayed:
OB-24-24-36-BLDCRN-FLAT-LR

Available Dimensions	
Width (X)	9" 12" 15" 18" 21" 24" 27"
Depth (Y)	24" 28" 34"
Height (Z)*	30" 36" 42"

*All cabinet heights account for standard 1 1/2" countertop (not included).

** The total width of this cabinet is equal to the width+depth+door clearance spacer.

Door Styles:

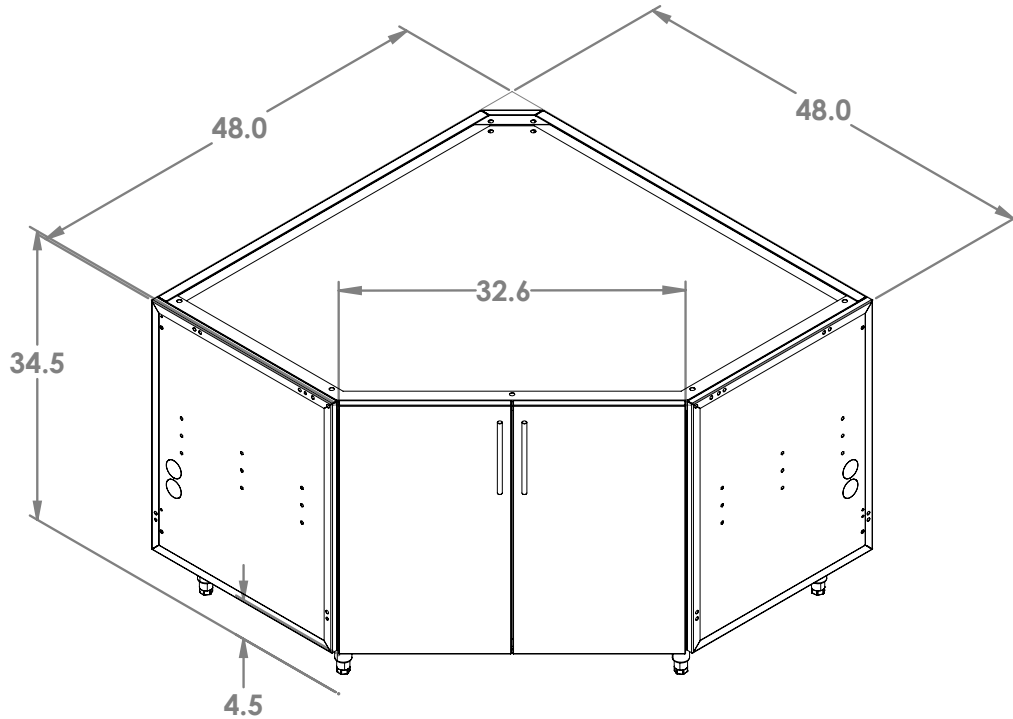


Insert Width(X), Depth(Y), Height(Z) and Door Style into parts number:

OB-(X)-(Y)-(Z)-BLDCRN-(Door Style)-(Handle Sides)

Outdoor Base Cabinets

OUTDOOR BASE: 45 DEGREE BASE CORNER CABINET



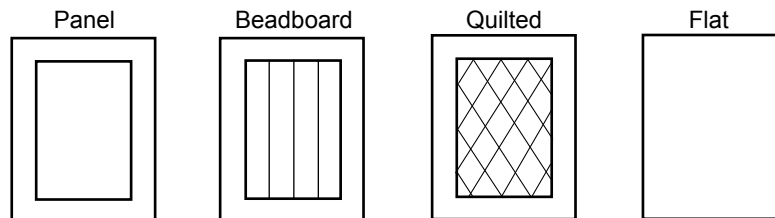
Example Displayed:
OB-24-24-36-45CRN-FLAT-LR

Available Dimensions	
Width (X)	9" 12" 15" 18" 21" 24" 27"
Depth (Y)	24" 28" 34"
Height (Z)*	30" 36" 42"

*All cabinet heights account for standard 1 1/2" countertop (not included).

** The total width of this cabinet is equal to the width+depth+door clearance spacer.

Door Styles:



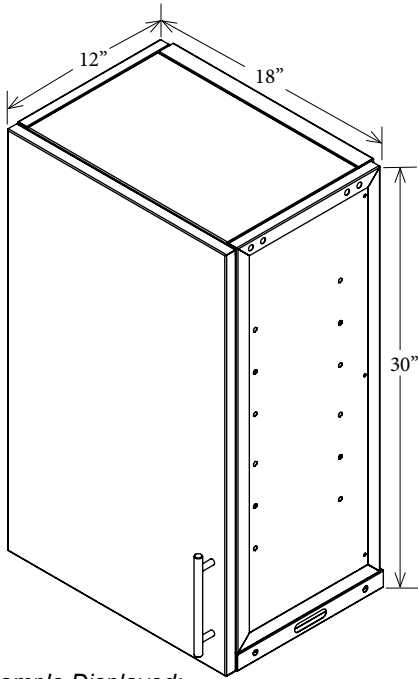
Insert Width(X), Depth(Y), Height(Z) and Door Style into parts number:

OB-(X)-(Y)-(Z)-45CRN-(Door Style)-(Handle Sides)

Outdoor Upper Cabinets



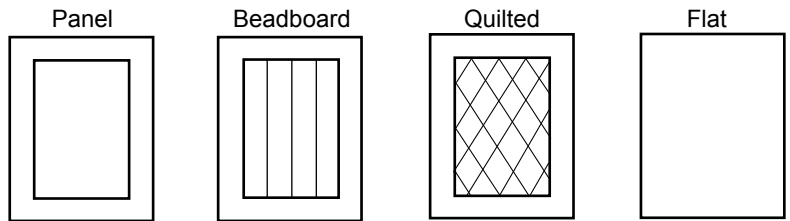
OUTDOOR UPPER: SINGLE DOOR CABINET



Example Displayed:
OU-18-12-30-SGLDR-FLAT-R

Available Dimensions	
Width (X)	9" 12" 15" 18" 21" 24"
Depth (Y)	12" 24"
Height (Z)	12" 15" 18" 24" 30" 36" 42" 48"

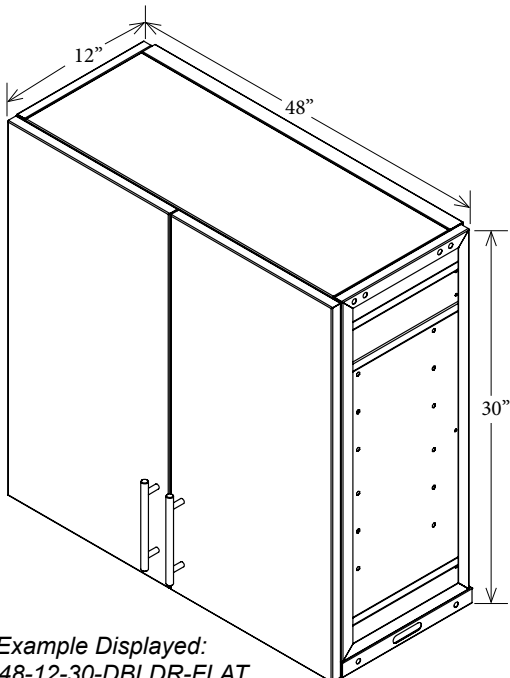
Door Styles:



Insert Width(X), Depth(Y), Height(Z) and Door Style into parts number:

OU-(X)-(Y)-(Z)-SGLDR-(Door Style)-(Handle Side)

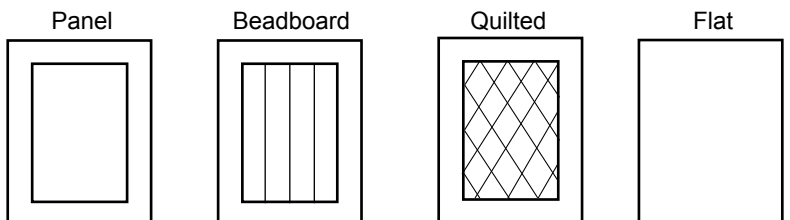
OUTDOOR UPPER: DOUBLE DOOR CABINET



Example Displayed:
OU-48-12-30-DBLDR-FLAT

Available Dimensions	
Width (X)	24" 27" 30" 33" 36" 39" 42" 45" 48"
Depth (Y)	12" 24"
Height (Z)	12" 15" 18" 24" 30" 36" 42" 48"

Door Styles:



Insert Width(X), Depth(Y), Height(Z), and Door Style into parts number:

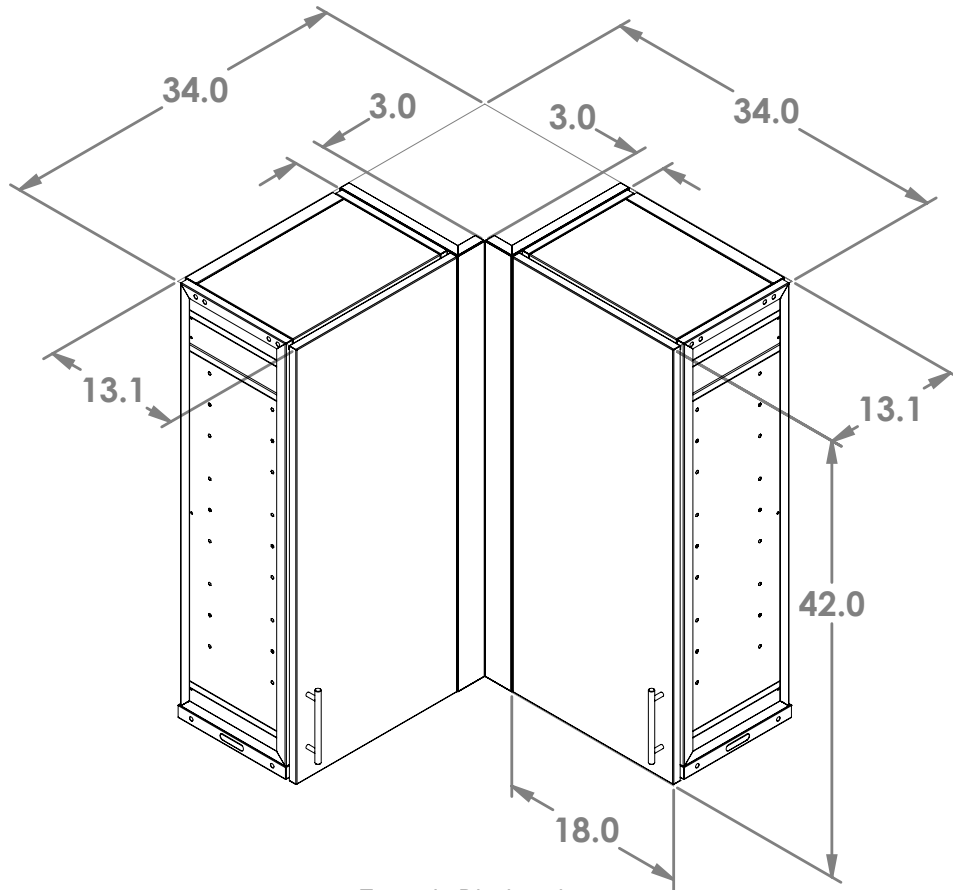
OU-(X)-(Y)-(Z)-DBLDR-(Door Style)

Outdoor Cabinets | Specifications Guide

JWOutdoorCabinets.com | (877) 484-0088
505 Cuthbertson St., Monroe, NC 28110

Outdoor Upper Cabinets

OUTDOOR UPPER: DEAD SPACE CORNER CABINETS

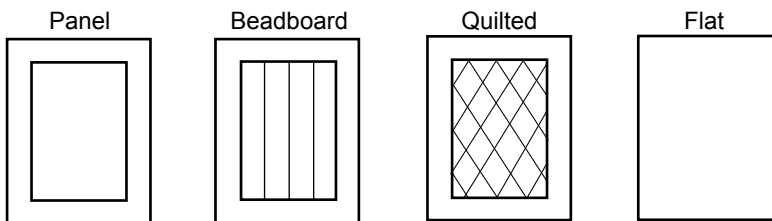


Example Displayed:
OU-18-12-42-DDSC-FLAT-LR

Available Dimensions	
Width (X)	9" 12" 15" 18" 21" 24"
Depth (Y)	12" 24"
Height (Z)*	12" 15" 18" 24" 30" 36" 42" 48"

* The total width for this corner unit is the width+depth+door clearance spacer.

Door Styles:

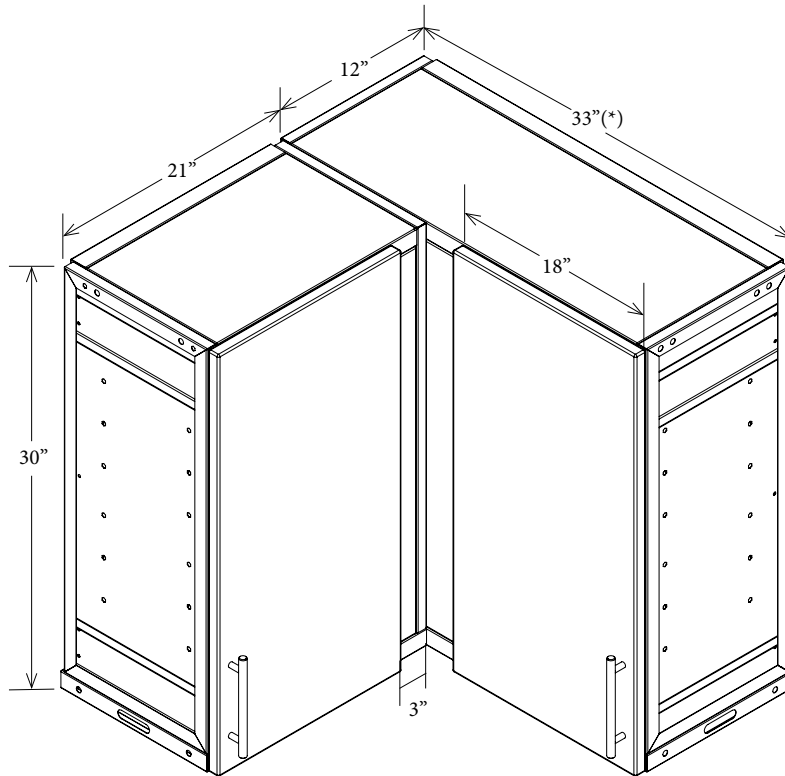


Insert Width(X), Depth(Y), Height(Z) and Door Style into parts number:

OU-(X)-(Y)-(Z)-DDSC-(Door Style)-(Handle Sides)

Outdoor Upper Cabinets

OUTDOOR UPPER: BLIND CORNER CABINET

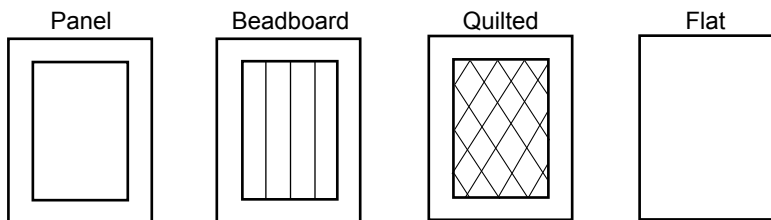


Example Displayed:
OU-18-12-30-BLDCRN-FLAT-LR

Available Dimensions	
Width (X)	9" 12" 15" 18" 21" 24"
Depth (Y)	12" 24"
Height (Z)*	12" 15" 18" 24" 30" 36" 42" 48"

* The total width of this corner unit is equal to the width+depth+door clearance spacer

Door Styles:

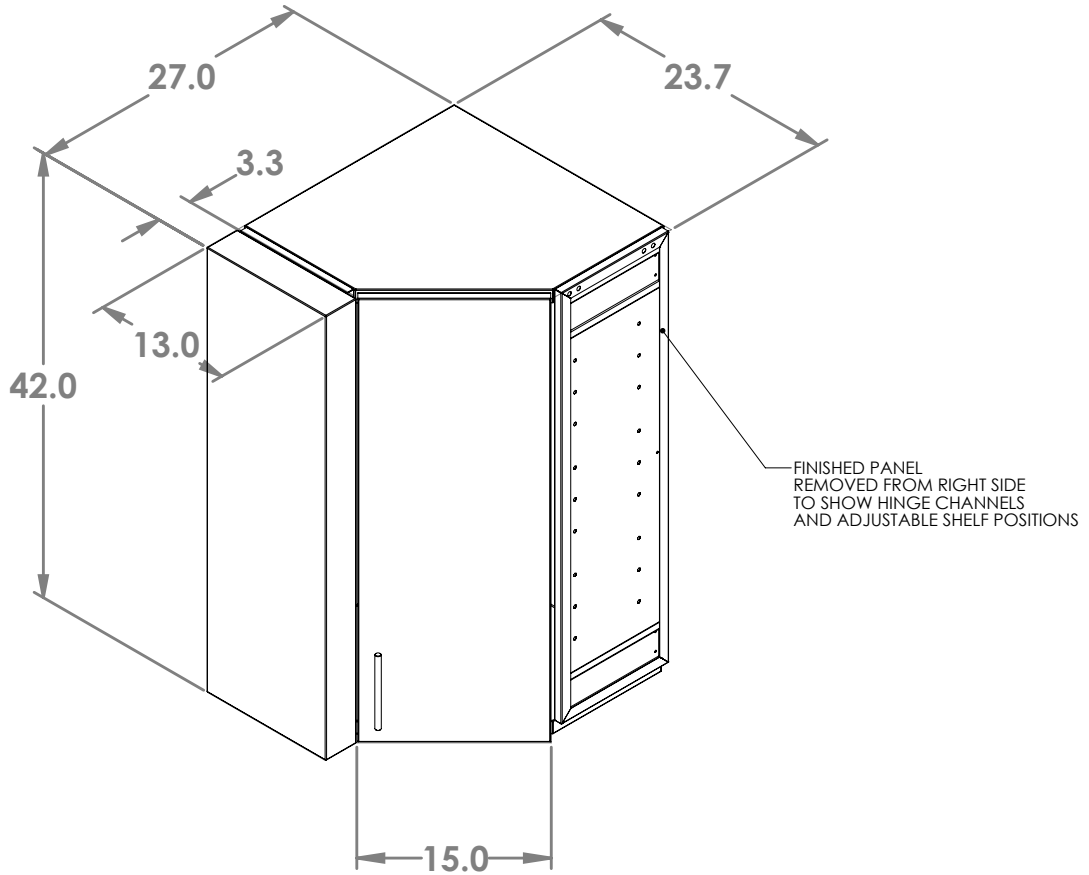


Insert Width(X), Depth(Y), Height(Z) and Door Style into parts number:

OU-(X)-(Y)-(Z)-BLDCRN-(Door Style)-(Handle Sides)

Outdoor Upper Cabinets

OUTDOOR UPPER: 45 DEGREE CORNER CABINET

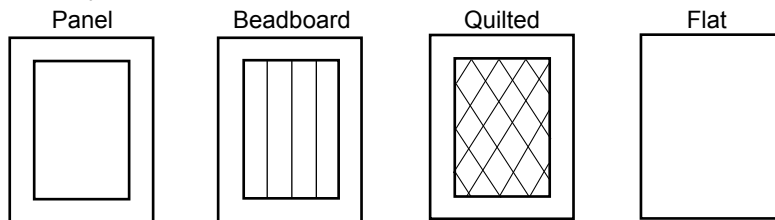


Example Displayed:
OU-15-12-30-45CRN-FLAT-L

Available Dimensions	
Width (X)	9" 12" 15" 18" 21" 24"
Depth (Y)	12" 24"
Height (Z)	12" 15" 18" 24" 30" 36" 42" 48"

*The total width of this corner unit is equal to the width+depth.

Door Styles:



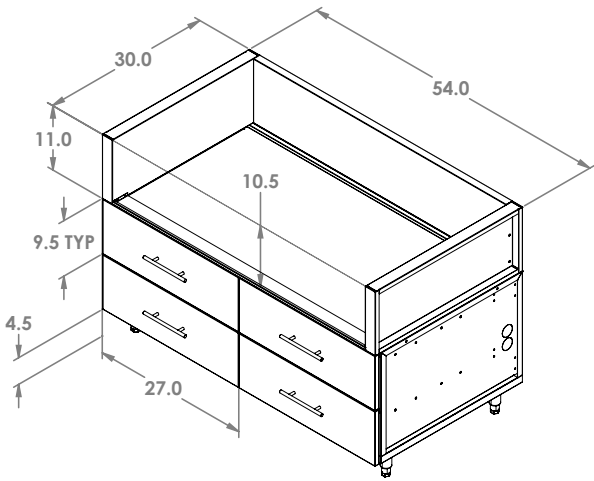
Insert Width(X), Depth(Y), Height(Z) and Door Style into parts number:

OU-(X)-(Y)-(Z)-CRN-(Door Style)-(Handle Sides)

Outdoor Base Cabinets



OUTDOOR BASE: 4 DRAWERS GRILL CABINET

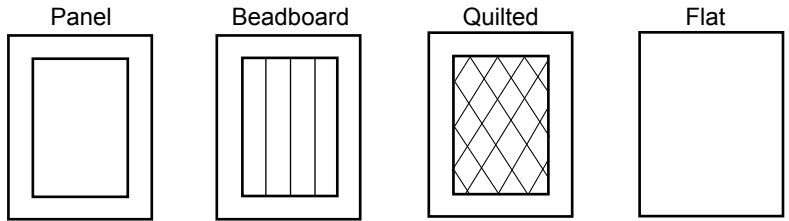


Example Displayed:
OB-54-30-36-G4DRW-FLAT

Available Dimensions	
Width (X)	30" 33" 36" 39" 42" 45" 48" 51"
Depth (Y)	24" 30" 36"
Height (Z)	30" 36" 42"

* Product heights include standard 1 1/2" countertop.

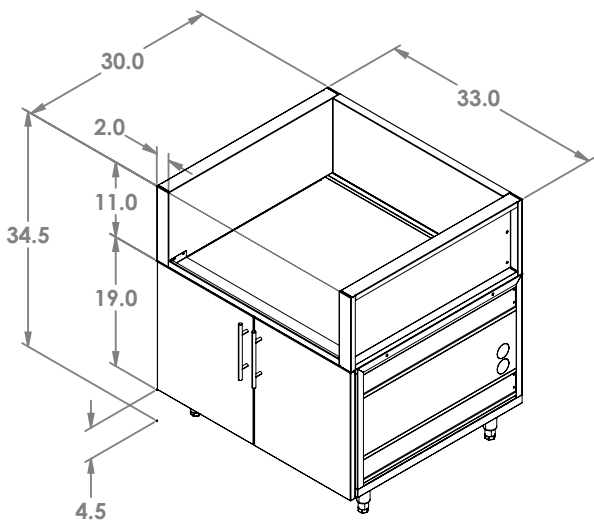
Door Styles:



Insert Width(X), Depth(Y), Height(Z) and Door Style into parts number:

OB-(X)-(Y)-(Z)-G4DRW-(Door Style)

OUTDOOR BASE: DOUBLE DOOR GRILL CABINET

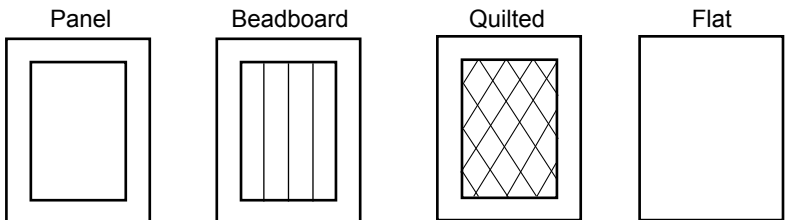


Example Displayed:
OB-33-30-36-GDBLDR-FLAT

Available Dimensions	
Width (X)	30" 33" 36" 39" 42" 45" 48" 51"
Depth (Y)	24" 30" 36"
Height (Z)*	30" 36" 42"

* Product heights include standard 1 1/2" countertop.

Door Styles:



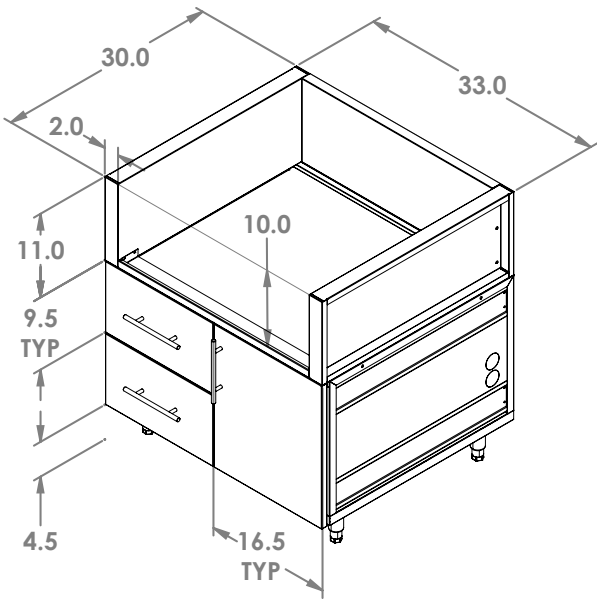
Insert Width(X), Depth(Y), Height(Z), and Door Style into parts number:

OB-(X)-(Y)-(Z)-GDBLDR-(Door Style)

Outdoor Base Cabinets



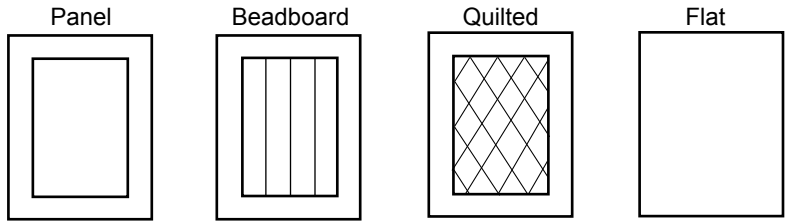
OUTDOOR BASE: 2 DRAWERS SINGLE DOOR GRILL CABINET



Available Dimensions	
Width (X)	30" 33" 36" 39" 42" 45" 48" 51"
Depth (Y)	24" 30" 36"
Height (Z)	30" 36" 42"

* Product heights include standard 1 1/2" countertop.

Door Styles:

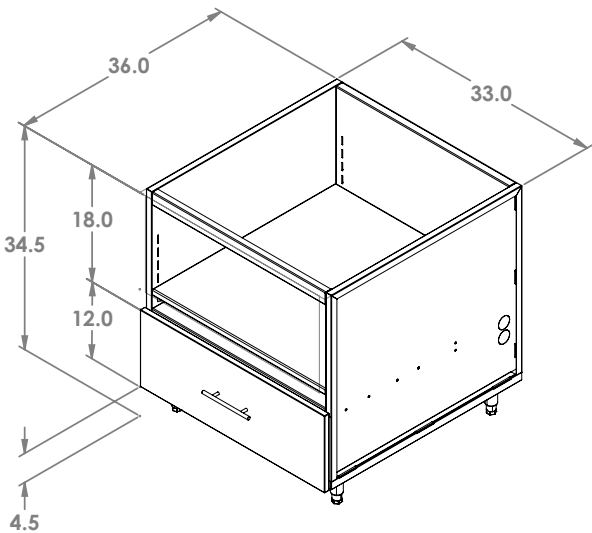


Example Displayed:
OB-33-30-36-G2DRWSDR-FLAT

Insert Width(X), Depth(Y), Height(Z) and Door Style into parts number:

OB-(X)-(Y)-(Z)-G2DRWSDR-(Door Style)

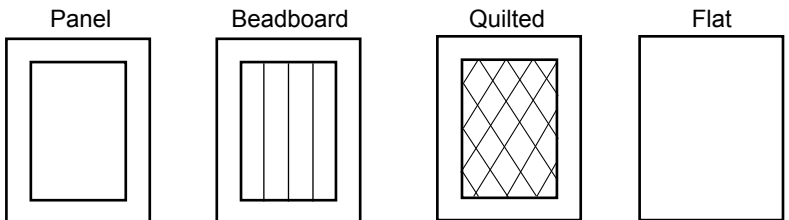
OUTDOOR BASE: CERAMIC GRILL CABINET



Available Dimensions	
Width (X)	30" 33" 36" 39"
Depth (Y)	24" 30" 36"
Height (Z)*	30" 36" 42"

* Product heights include standard 1 1/2" countertop.

Door Styles:



Example Displayed:
OB-33-36-36-GC-FLAT

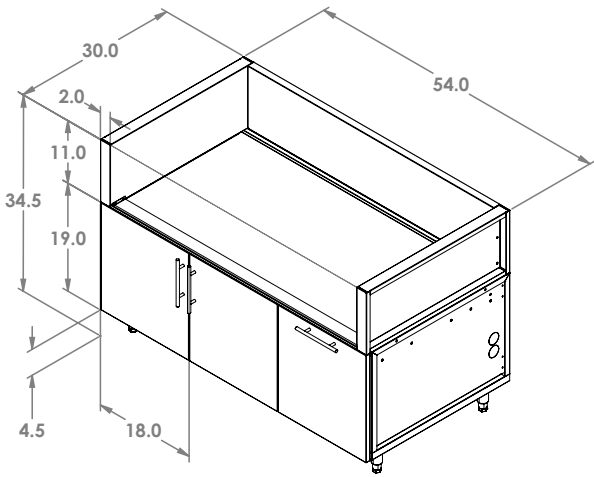
Insert Width(X), Depth(Y), Height(Z), and Door Style into parts number:

OB-(X)-(Y)-(Z)-GC-(Door Style)

Outdoor Base Cabinets



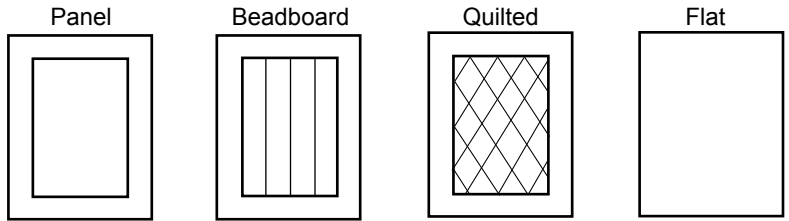
OUTDOOR BASE: PULLOUT WITH DOUBLE DOORS GRILL CABINET



Available Dimensions	
Width (X)	51" 54" 57"
Depth (Y)	24" 30" 36"
Height (Z)	30" 36" 42"

* Product heights include standard 1 1/2" countertop.

Door Styles:

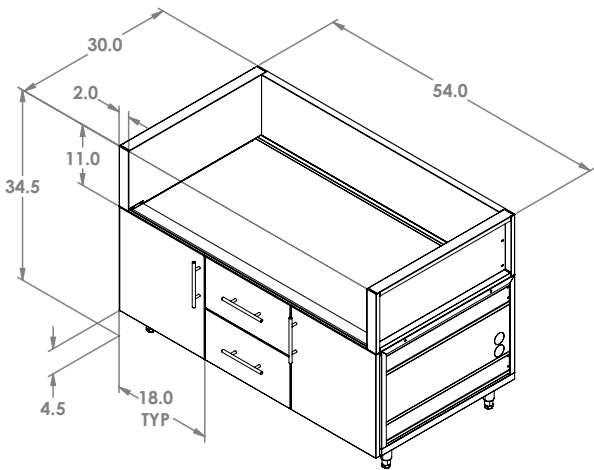


Example Displayed:
OB-57-30-36-GPODBLDR-FLAT

Insert Width(X), Depth(Y), Height(Z) and Door Style into parts number:

OB-(X)-(Y)-(Z)-GPODBLDR-(Door Style)

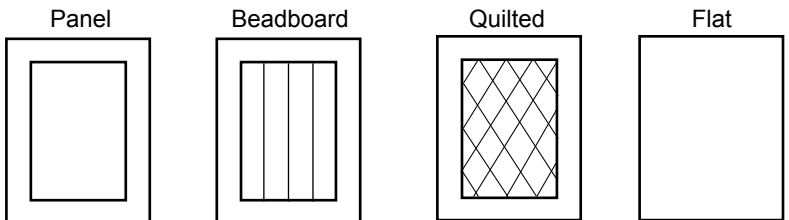
OUTDOOR BASE: DOOR DRAWER DOOR GRILL CABINET



Available Dimensions	
Width (X)	51" 54" 57"
Depth (Y)	24" 30" 36"
Height (Z)*	30" 36" 42"

* Product heights include standard 1 1/2" countertop.

Door Styles:



Insert Width(X), Depth(Y), Height(Z), and Door Style into parts number:

OB-(X)-(Y)-(Z)-GDRDRWDR-(Door Style)

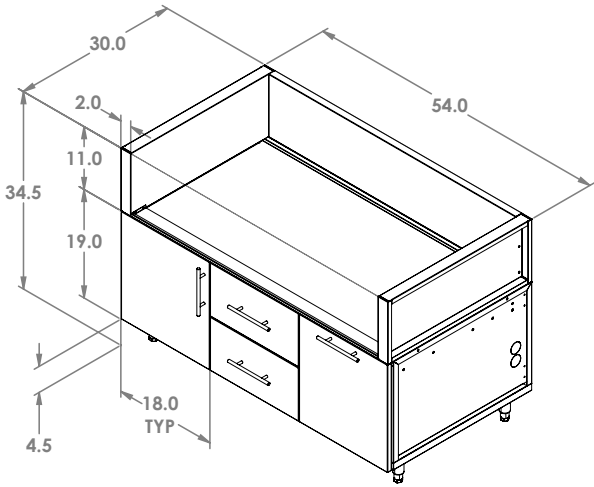
Example Displayed:
OB-33-36-36-GDRDRWDR-FLAT

Outdoor Cabinets | Specifications Guide

JWOutdoorCabinets.com | (877) 484-0088
505 Cuthbertson St., Monroe, NC 28110

Outdoor Base Cabinets

OUTDOOR BASE: DOOR DRAWERS AND PULLOUT GRILL CABINET

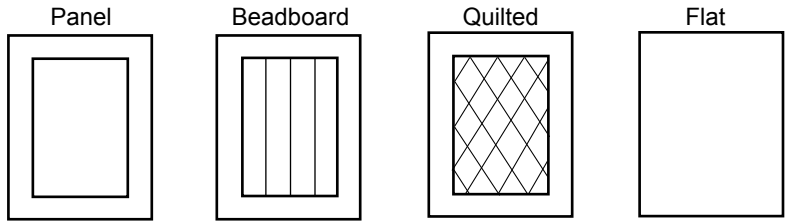


Example Displayed:
OB-57-30-36-GDRDRWPO-FLAT

Available Dimensions	
Width (X)	51" 54" 57"
Depth (Y)	24" 30" 36"
Height (Z)	30" 36" 42"

* Product heights include standard 1 1/2" countertop.

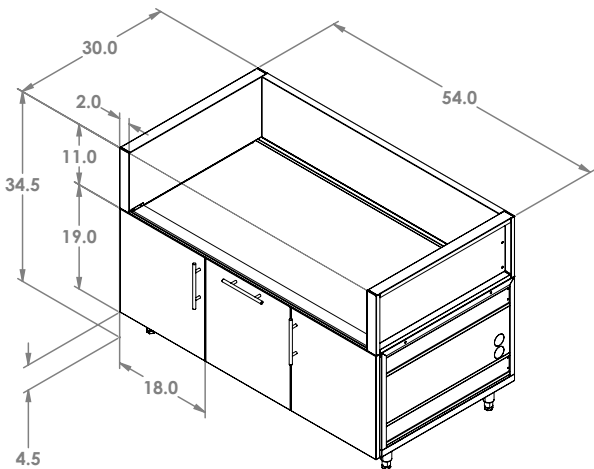
Door Styles:



Insert Width(X), Depth(Y), Height(Z) and Door Style into parts number:

OB-(X)-(Y)-(Z)-GDRDRWPO-(Door Style)

OUTDOOR BASE: DOOR PULLOUT DOOR GRILL CABINET

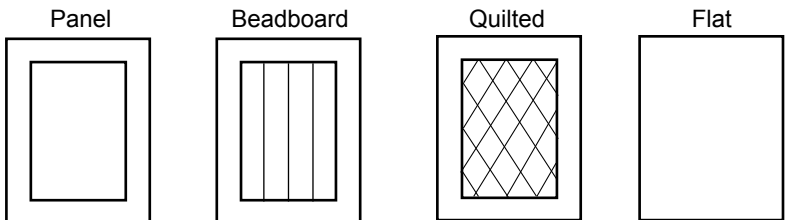


Example Displayed:
OB-33-36-36-GDRPODR-FLAT

Available Dimensions	
Width (X)	51" 54" 57"
Depth (Y)	24" 30" 36"
Height (Z)*	30" 36" 42"

* Product heights include standard 1 1/2" countertop.

Door Styles:



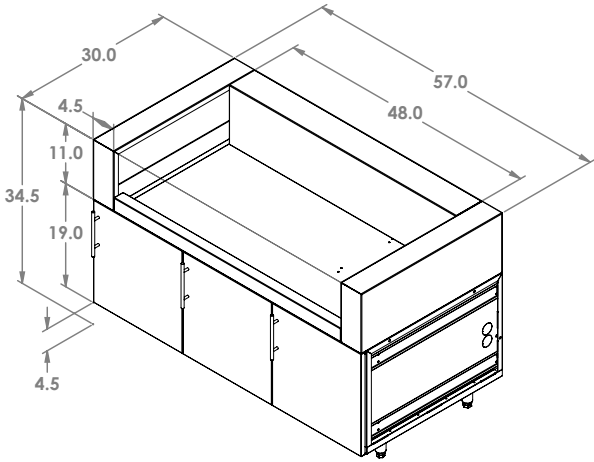
Insert Width(X), Depth(Y), Height(Z), and Door Style into parts number:

OB-(X)-(Y)-(Z)-GDRPODR-(Door Style)

Outdoor Base Cabinets



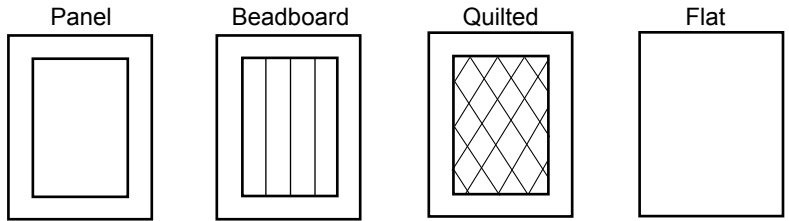
OUTDOOR BASE: 3 DOORS GRILL CABINET



Available Dimensions	
Width (X)	51" 54" 57"
Depth (Y)	24" 30" 36"
Height (Z)	30" 36" 42"

* Product heights include standard 1 1/2" countertop.

Door Styles:



Example Displayed:
OB-57-30-36-G3DR-FLAT

Insert Width(X), Depth(Y), Height(Z) and Door Style into parts number:

OB-(X)-(Y)-(Z)-G3DR-(Door Style)