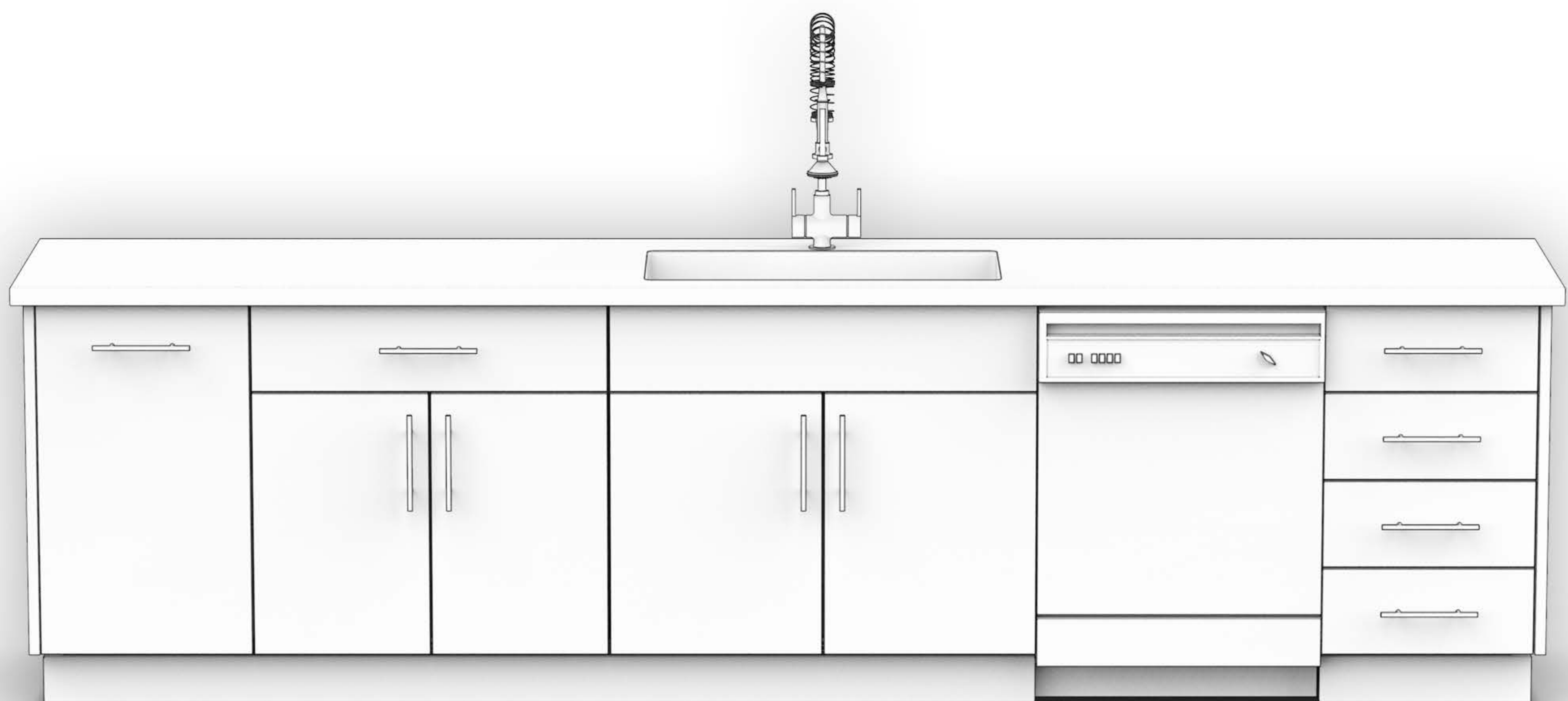


JW METAL CABINETS

Installation Instructions

Thank you for choosing JW Metal Products. All of our stainless steel cabinets come pre-assembled. Simply follow our three step process to connect them.



Tools Required

- Tape Measure
- Level
- Phillips Screwdriver
- 7/16" Socket or Wrench

Tools Included

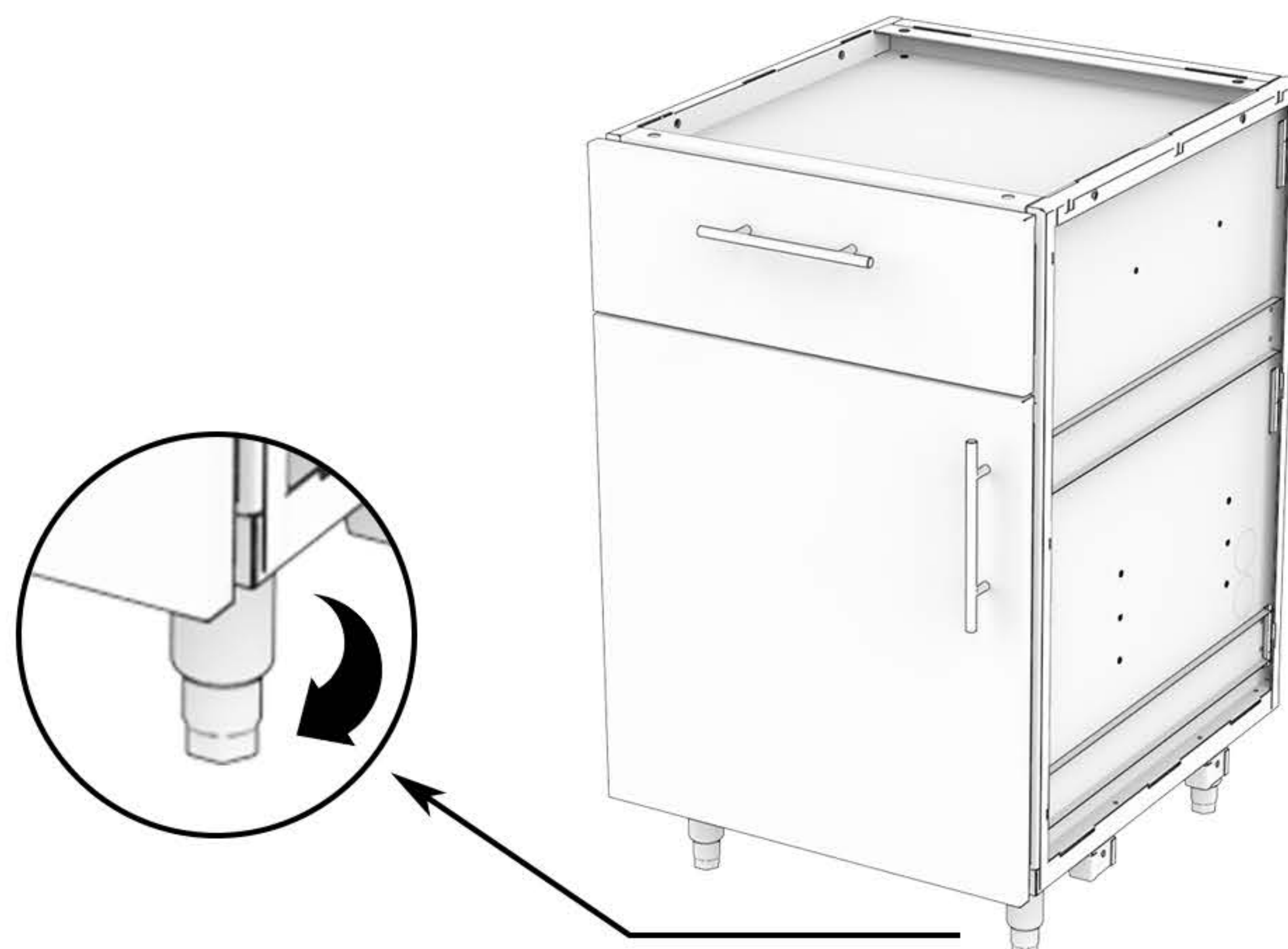
- 3/32" Ballpoint Hex Driver
- 1-1/4" Wrench
- 3/8" Wrench

Hardware Included with Each Cabinet

- 1/4"-20 Bolts/Washers

JW METAL CABINETS

1



*If your cabinet has more than four corner legs, adjust the corner legs first, then adjust the remaining legs.

Starting with farthest left cabinet, use provided 1-1/4" wrench to adjust legs until each corner is at the desired height and cabinet is level, plum, and square.

2

*Flange screws have been preset at factory. Only adjust if necessary using provided 3/8" wrench.

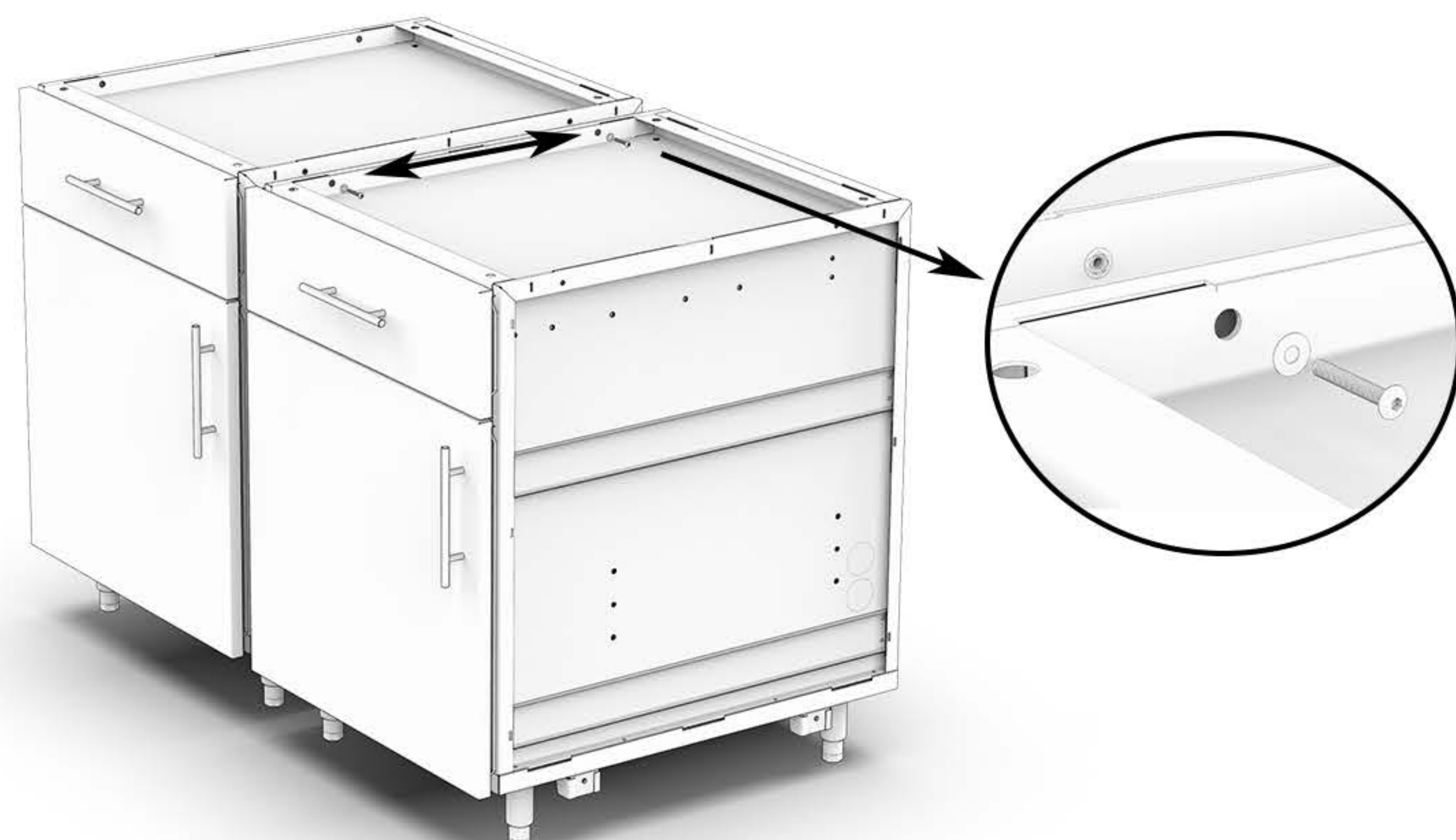


Lower cabinet with cam slots onto the corresponding cabinet's flange screws then level.

Locate flange screws (left) and mating cam slots (right).

3

Use two of the included bolts and washers to fasten cabinets together through the top flanges using 7/16" socket or wrench.



Repeat steps 1-3 with each cabinet until your cabinet arrangement is fully installed.

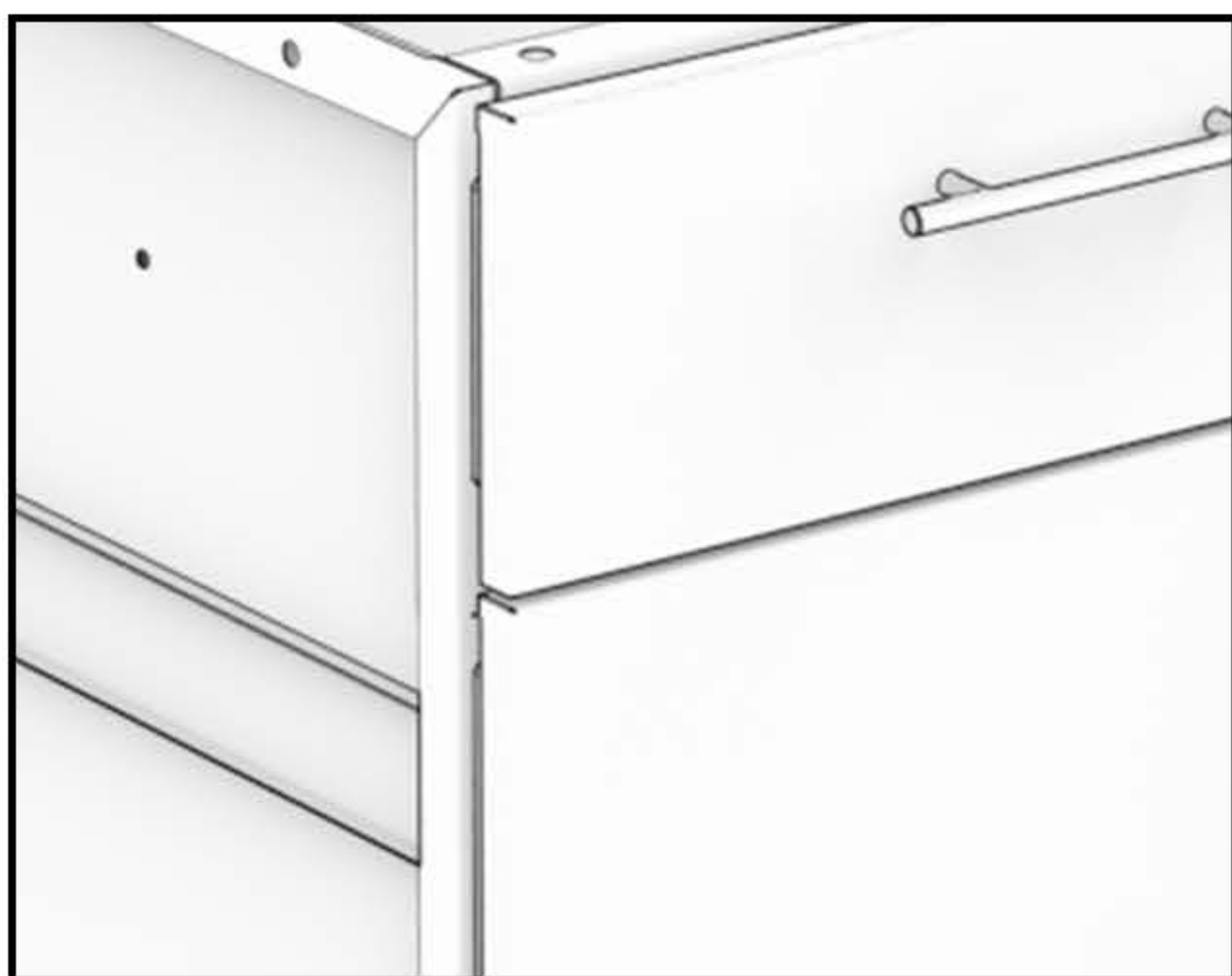
If Necessary

If you need to make door or drawer face adjustments, continue to page 2.

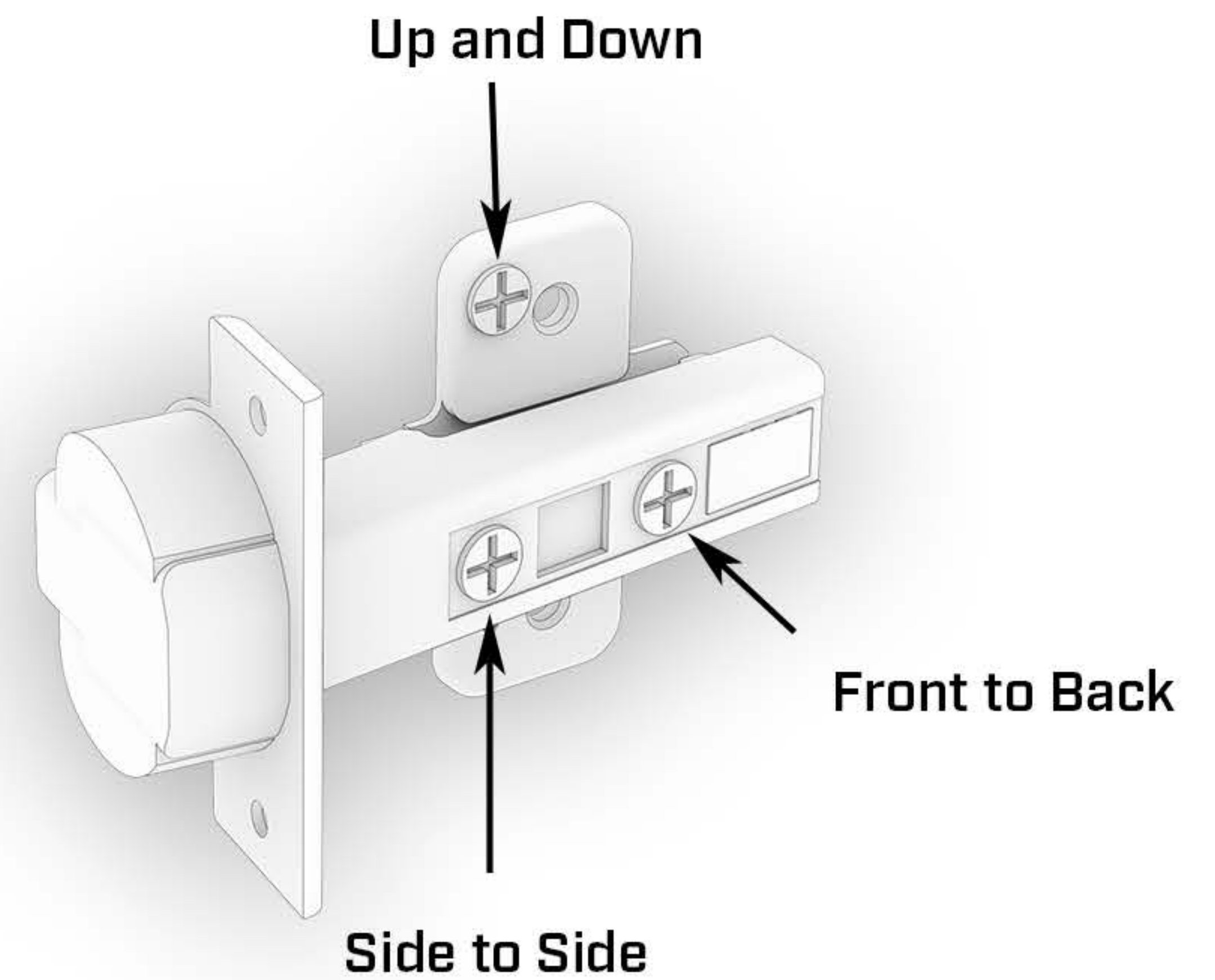
If you need to connect additional panels (back, or toe kick), skip to page 3.

Adjustments

Door Adjustments

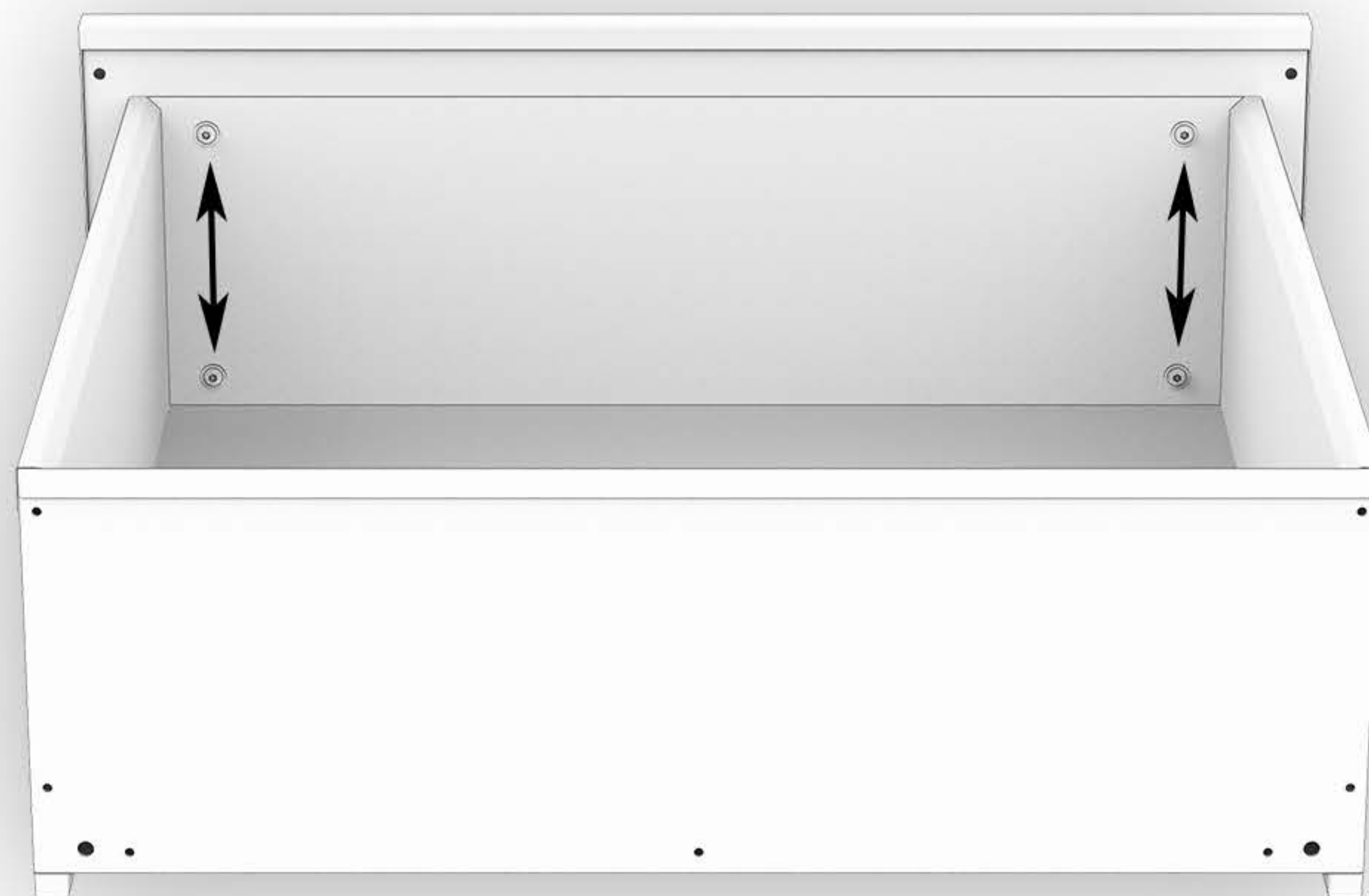


We recommend the top hinge-side corner of the door/top drawer to be roughly 1/16" - 1/8" from the top of the cabinet.



Use the three screws shown on the hinge above to adjust the door. Use a Phillips screwdriver to loosen and adjust until you achieve the desired reveal.

Drawer Face Adjustments



Loosen the four screws behind the front panel of the drawer. Adjust the panel until you achieve the desired reveal.

Pg. 3 on back 

For additional help visit www.stainlesssupply.com or contact one of our experts at (877) 484-0088.

Toe Kick Panels

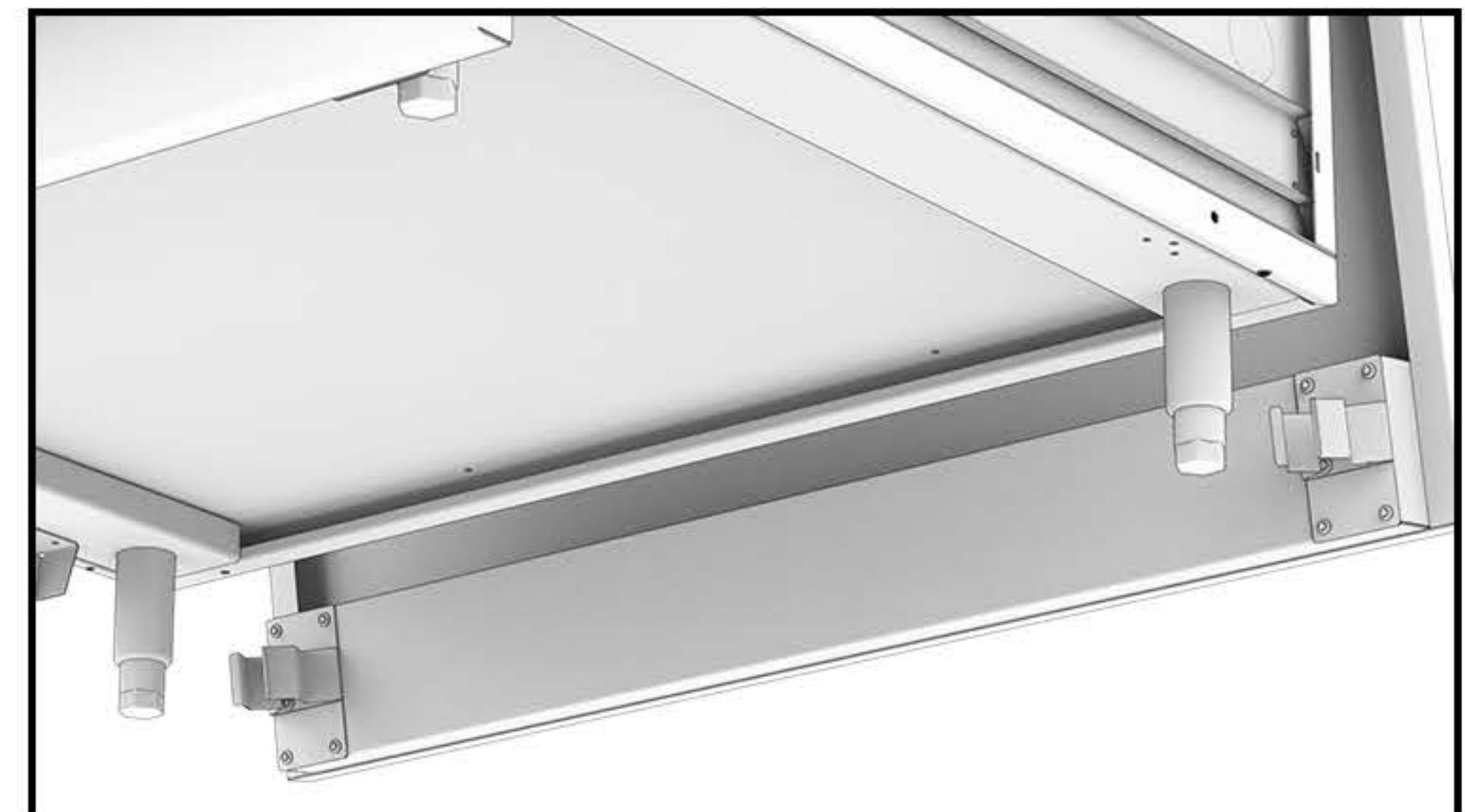


Snap the toe kick panels onto the legs via the spring clips.

Full-Height Back Panels



Use the full-height back panel tabs that slide into place through the two slots on top of the cabinet.

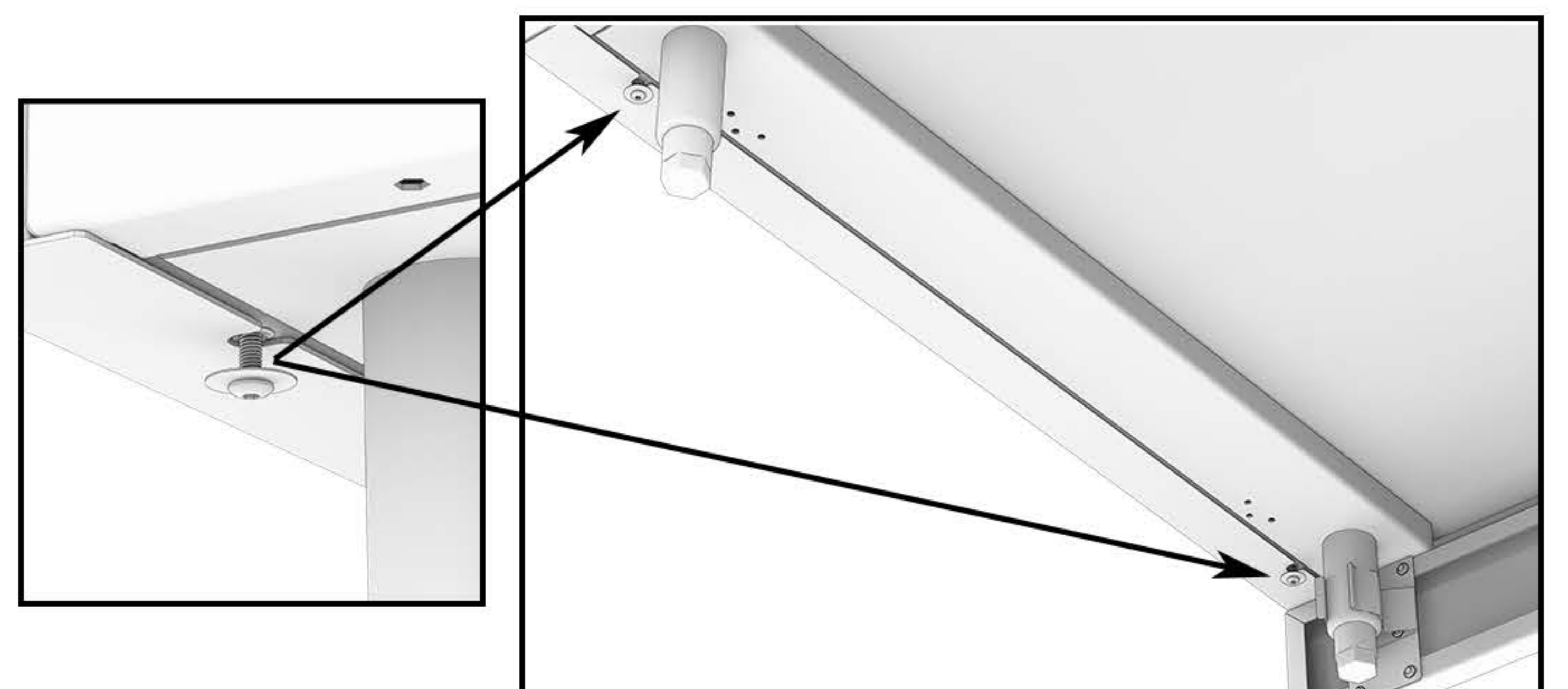


Snap the bottom of the full-height back panel onto the legs via the spring clips.

Box-Height Back Panels



Use the box-height back panel tabs that slide into place through the two slots on top of the cabinet.



Align the slots on the bottom of the box-height back panel with the pre-installed screws under the cabinet. Tighten the screws using provided 3/32" hex driver.